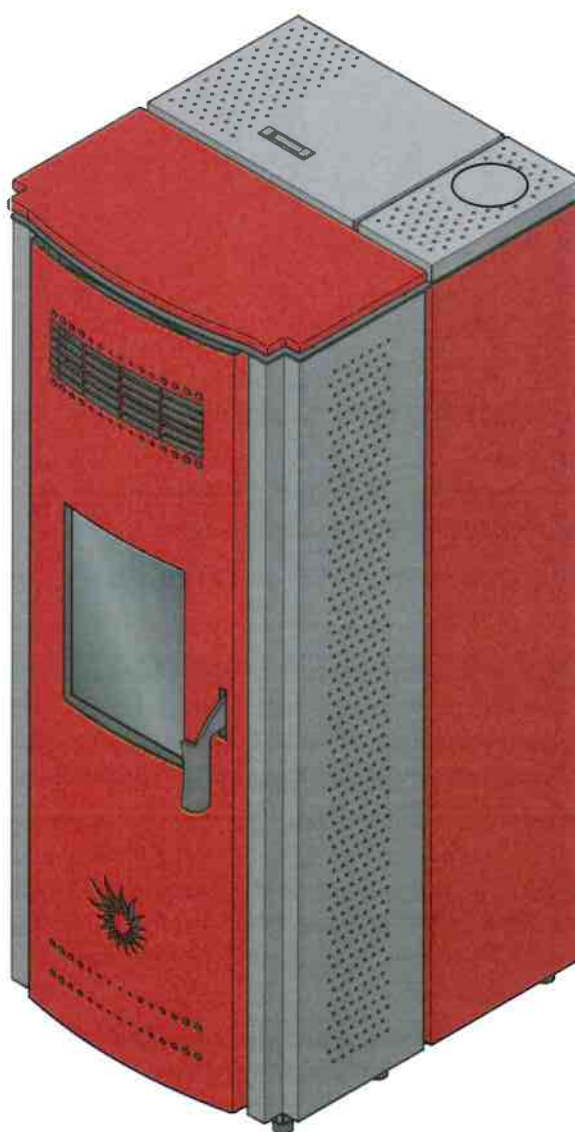




Air heaters



Instructions for models:

*Sintesi 90/120 - Trendy 90/120 - Thelma&Louise 90/120
Notabene 90/120 - Cippatina - Lia - Lia Plus - Carmen
Loren - Tesi - Silenzio - Libera - Maya - Scrigno - Andy - Leire*



Dear Customer,

We wish to thank you for choosing a **CSTHERMOS** stove and welcome you into our pellet/biomass/sized chip heating world.

We remind you that our products are manufactured wholly in Italy with superb quality materials and are accurately tested in compliance with the provisions of the safety regulations in force.

Great innovation and sophisticated design are added to this guarantee of quality and comfort.

These stove models can be fitted with a traditional type pellet boiler that would use only best quality wood pellets complying with the ISO EN 17225-2 reference standards and their updates, or with an innovative and patented biomass boiler capable of burning not only any kind of wood pellets (for instance consisting of bark and branches) but also biomass deriving from agricultural waste such as almond-walnut-hazelnut shells, olive pits, agripellets.

An automatic cleaning system is managed by an electronic board that keeps the burner always clean, obtaining great efficiency and reliability of use. The modulating operation varies according to the set ambient temperature and therefore allows optimal room heating. During the initial ignition phase (about 10 minutes), the burner automatically fills with fuel, while resistors, heating up, trigger the flame. Once the flame has been detected by the combustion fume detector, normal operation begins that, thanks to the microprocessor, allows changing the supply of fuel, obtaining therefore flame modulation.

The electronic board checks the temperature sensors, electrical motors and safety devices continuously and, in case of an anomaly, stops their operation and shows this on the display (see alarm code paragraph). The heating of the room is guaranteed by an air flow that varies according to the operating power going through the combustion smoke pipes.

Models with pellet burner: use only best quality wood pellets from the tree trunk as fuel.

In the Cippatina model: only pellets and P16A-M10 sized chips can be used as fuel. No other types of fuel are allowed.



CONTENTS

	Page
1 Safety regulations	4
2 Models of stove dealt with in this manual	8
3 Receiving the equipment	9
4 Transport and handling	10
5 Description of the parts	12
5.1 Sintesi 90/120, Trendy 90/120, Thelma&Louise 90/120, Notabene 90/120, Cippatina stoves.	12
5.2 Lia, Lia Plus, Carmen, Loren stoves.....	14
5.3 Tesi stove	15
5.4 Silenzio, Libera and Maya stoves.....	16
5.5 Andy, Scrigno and Leire stoves.....	16
5.6 Stove dimensions.....	18
5.7 Pellet container	22
5.8 Stove serial plate	23
6 Stove technical data	24
7 Fuels	26
7.1 Setting the fuel (Andy model excluded).....	26
7.2 Setting the fuel (Andy model)	27
8 Installation	28
8.1 Pre-installation	28
8.2 Flue pipe	29
8.3 Electrical arrangement	33
8.4 Unpacking.....	34
8.5 Setting up the stove.....	35
8.6 Connecting the flue pipe: Sintesi 90/120, Trendy 90/120, Thelma&Louise 90/120, Notabene 90/120, Cippatina models	36
8.7 Connecting the flue pipe: Lia, Lia Plus, Carmen models	38
8.8 Connecting the flue pipe: Loren model	38
8.8 Connecting the flue pipe: Tesi model	39
8.10 Connecting the flue pipe: Silenzio, Libera and Maya models	39
8.11 Connecting the flue pipe: Scrigno, Leire and Andy models	40
8.12 Combustion air inlet (Silenzio model excluded).....	40
8.12 Combustion air inlet (Silenzio model)	41
8.14 Minimum distance to position the air inlet	41
8.15 Air ducting in the Sintesi 90/120, Trendy 90/120, Thelma&Louise 90/120, Notabene 90/120, Cippatina models	42
8.16 Air ducting in the Lia, Lia Plus, Carmen and Loren models.....	44
8.17 Air ducting in the Tesi model	45
8.18 Electrical connections.....	49
8.19 Electronic board.....	50
9 Use	51
9.1 Display.....	51
9.2 Commissioning	52
9.3 Programming	53
9.4 Operation phases	55
9.5 Alarm code list.....	56
10 Cleaning	57
10.1 Cleaning the outside.....	57
10.2 Cleaning the biomass and pellet burner	58
10.3 Cleaning the Andy model pellet burner	59
10.4 Cleaning the combustion chamber for the Sintesi 90/120, Trendy 90/120, Thelma&Louise 90/120, Notabene 90/120, Cippatina, Tesi models	60
10.5 Cleaning the combustion chamber for the Lia, Lia Plus, Carmen, Loren models	60
10.6 Cleaning the combustion chamber for the Silenzio, Libera and Maya models	61
10.7 Cleaning the combustion chamber for the Scrigno, Leire and Andy models	61
10.8 Cleaning the combustion chamber for the Tesi model	62
10.9 Emptying and cleaning the ash collector	63
10.10 Cleaning the air filter in the Sintesi 90/120, Trendy 90/120, Thelma&Louise 90/120, Notabene 90/120, Cippatina models	64
10.11 Cleaning and maintenance of other parts	64
11 Disposal	65

1 - SAFETY REGULATIONS

Safety regulations for the user



This manual is an integral part of the product: it is important to read it in all its parts before installing or using the equipment. Ensure it is always available, also in case of a move/sale/transfer to another owner, so that it can be consulted by the new user, installer or by any authorized staff.

Any use, cleaning or maintenance other than as stated in this booklet must be considered incorrect and may cause damage, injury or death, making the guarantee null and void and releasing the Manufacturer from any liability.

Extraordinary maintenance must be carried out **only by qualified personnel authorized by the Dealer or Manufacturer.**



This pictogram refers to a situation of immediate danger or a dangerous situation that might cause injury or death.



This pictogram shows that it is necessary to behave in such a way as not to endanger the safety of staff or cause damage to the equipment.



This pictogram hints at important technical information that must be taken into account by the installer or user of the equipment.



Danger of burns



Danger of electric shock



Danger of crushing your hands



Danger of asphyxia



Fire hazard



Danger of crushing your feet



Obligation to use protection gloves



Safety or equipment automatic adjustment devices must be modified only by the manufacturer or by an authorized service centre or supplier, during the whole life of the system.

If the equipment is not to be used for a long time, switch off the main power switch.



If the equipment does not work or you notice functional or structural changes, disconnect it from the power mains and contact **a service centre authorized by the Manufacturer or Dealer without attempting any DIY**. As to repairs, always ask for original spare parts to be used, in order to avoid problems and invalidating the warranty.

Any kind of tampering or replacement carried out by non-qualified personnel can be dangerous for the user and releases the Manufacturer from all civil and criminal liability.



Ensure the room where the unit is going to be installed is suitable and provided with air vents with minimum openings in compliance with the legislation of the country of destination and anyway sufficient to obtain perfect combustion.

When the unit is delivered, check it is intact because vibrations or impacts during transport might have loosened some components. Check the housing or the parts making up the equipment have not been damaged. If this is the case, inform the installer and/or our customer service.

Do not leave any flammable containers or substances next to the stove, comply with the safety distances mentioned in the manual.

Before connecting the equipment to the mains, always check the system data match those on the equipment plate.

Use only the fuel recommended by the Manufacturer. The product must not be used as an incinerator. It is absolutely forbidden to use liquid fuels.

Do not load the pellets into the burner manually.

The unit cannot be used by children or people with limited physical, sensory or mental capabilities or without the necessary knowledge and experience. Children must not play with the apparatus.



Non-compliance with these instructions can cause damages, injuries and even death and invalidates the warranty.

Since potentially dangerous, any packaging material must be kept out of the reach of children or animals and disposed of in compliance with local regulations.

Connect the earth cables of the equipment to the earth system of the building where it is installed.

The data plate supplies important technical information that is vital in case of a request for maintenance or repair of the equipment: please do not remove, damage or modify it.

Do not open the burner while it is running.

Do not operate the unit with the glass broken.

Do not disconnect it by unplugging it when there is a flame on in the burner.

Do not use the unit to cook food or heat drinks.

Do not use the product as a supporting structure or as a ladder.

To prevent fires, do not hang wet clothes on the unit to dry them, drying racks can be

positioned at a safe distance.

Do not wash the product with water jets. Water may penetrate into the unit and cause electric shocks.

If the ignition system fails, it is absolutely forbidden to use flammable materials to light the flame.

Disconnect the electrical supply before any maintenance or cleaning.

To ensure the equipment is in perfect use and safety conditions, we recommend that it is maintained and checked by a Service Centre authorized by the Manufacturer or Dealer at least once a year.



Some small tongues of fire can appear on the sides of the burner, this **is normal** since the gases in contact with the hot parts are burnt off.



A minimum natural draught of 6-8 Pa in the flue pipe must always be guaranteed to prevent the sudden lack of voltage or adverse environmental conditions from letting smoke out into the room, making electrical components overheat (see UNI 10683 standard).

Any small noise (ticking) during operation is normal, as it is due just to the assembled parts settling.



TESI model: in view of its limited depth, we advise you to anchor it to the wall using a small chain or tie going through the appropriate holes on the back.



Draught conditions unsuitable to the flue, excessive fuel humidity or high ash residue in the combustion chamber, can cause **IGNITION FAILURES THAT MUST NOT BE CONSIDERED A FAULT IN THE PRODUCT.**

In case of failed ignition, clean the crucible before trying to start the stove again.



SILENZIO model: IT IS MANDATORY to connect the combustion air inlet to the outside.



CIPPATINA model: use only P16A-M10 sized chips, as per the UNI EN 14961-4 regulation in force, having an average size of 15X15mm and humidity lower than 15%. For different types of chips, the manufacturer declines all liability in case of product malfunction.

The product warranty starts on the date when the equipment is switched on for the first time by an authorized engineer (dealer or CAT).

Further risks



The stove has been conceived, designed and built taking all the applicable Safety Regulations currently in force in the country of manufacture into account. Even if all possible precautions to comply with the Regulations currently in force have been taken, the following risks can still apply:



Risk of BURNS in accessing the inspection and cleaning doors with the flame still on or when not completely cooled down.



Risk of ELECTRICAL SHOCK. For a correct electrical connection as well as safe protection, the thermo-stove must be connected to a thermal differential with a trigger threshold not exceeding 30 mA, in compliance with the regulations in force.



Risk of HAND INJURY during the opening and cleaning operations and/or maintenance of the supply auger, burner and ash drawer. We recommend suitable Personal Protection Equipment (PPE), such as gloves, is used.



When disassembling some parts of the equipment and then reassembling them, pay attention to the risk of crushing your hands.



Risk of ASPHYXIA if there is no correct fume expulsion. We advise you to periodically inspect and keep the flue and fire outlets clean.



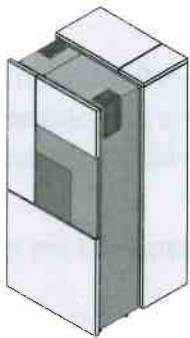
Risk of FIRE if flammable objects are placed on the surface of the unit or if solid or liquid flammable materials are positioned near it.

Draught conditions unsuitable to the flue, excessive fuel humidity or high ash residue in the combustion chamber, can cause ignition failures that must not be considered a fault in the product.



The company accepts no liability for any damages that may derive, either directly or indirectly, to people, animals or property due to the non-compliance with all the provisions listed in this manual and, in particular, concerning the warnings with regard to the installation, use and maintenance of the apparatus.

2 - STOVE MODELS DEALT WITH IN THIS MANUAL



Sintesi 90/120



Trendy 90/120



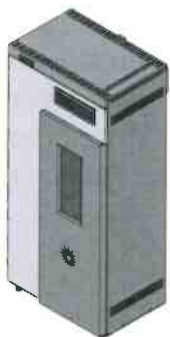
**Thelma&Louise
90/120**



Notabene 90/120



Cippatina



Lia



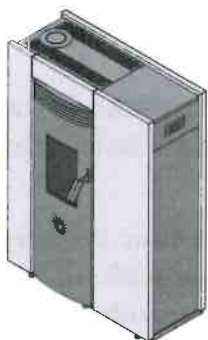
Lia plus



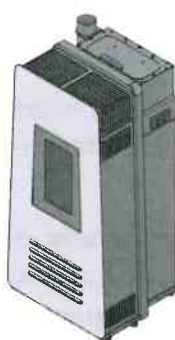
Carmen



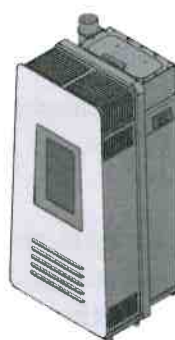
Loren



Tesi



Silenzio



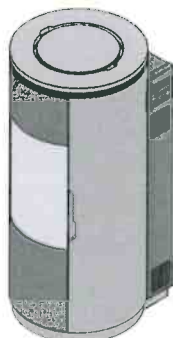
Libera



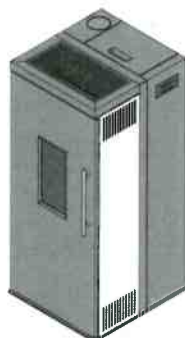
Maya



Scrigno



Leire



Andy

3 - RECEIVING THE EQUIPMENT

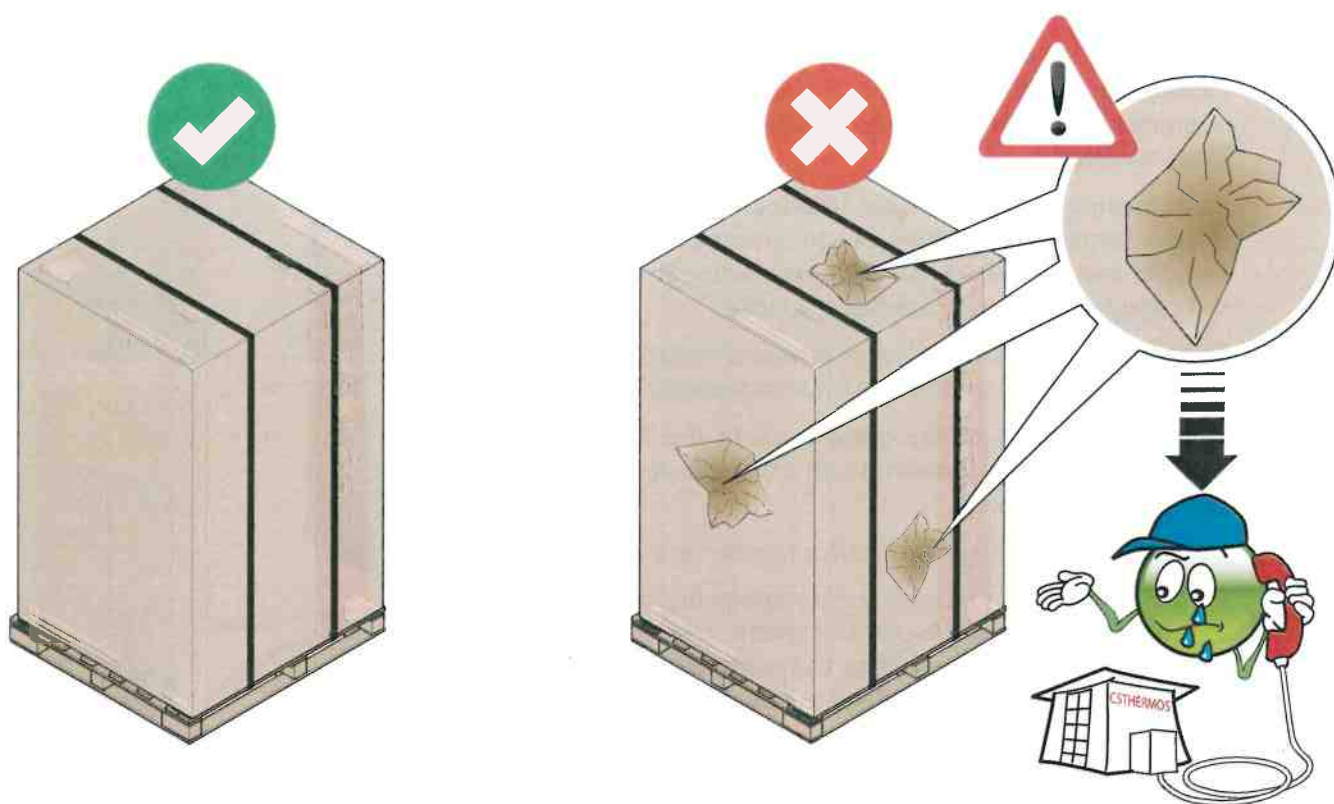


When you receive the equipment, check its packaging is intact. In case of visible damage or if some pieces are missing, do not install it, but contact the Manufacturer straight away.

If no anomaly is found, the product can be installed.

Handle the equipment following the Manufacturer's instructions shown on the packaging and in this manual. Use personal protection equipment all the time.

The means and method of transport must be chosen by the person responsible for handling, according to the equipment weight and size. Handling must guarantee the safety of the people directly involved in the installation.



4 - TRANSPORT AND HANDLING



The apparatus must be lifted with a winch fitted with a hook (A) and handled with a transpallet or forklift truck of suitable capacity.

The area of movement must be free from objects or people not involved in the transport operation.

If the equipment is handled using a winch, it is necessary to use some spreader bars (C) between the lifting ropes, to prevent the unit from being damaged and ensure no excessive pressure is applied to the packaging or machine itself.

Lifting with a winch fitted with a hook



Use hooks of capacity and material suitable to the weight to be lifted. Ensure the safety lock (D) is in the correct position while lifting.

Do NOT move the equipment if the field of vision is poor or if there are other obstacles along the way (e.g. electrical cables, lintels, etc.). The range of action of the lifting equipment must be kept free from people when the loads are lifted.

Shifting must always be vertical. Use steel hooks, chains or cables in perfect condition, of a suitable material and capacity and without any joints or extensions (E). Carry out periodic checks to guarantee efficiency.

To anchor the unit, pass the ropes or chains through the pallet holes (B), paying attention it is kept perfectly level.

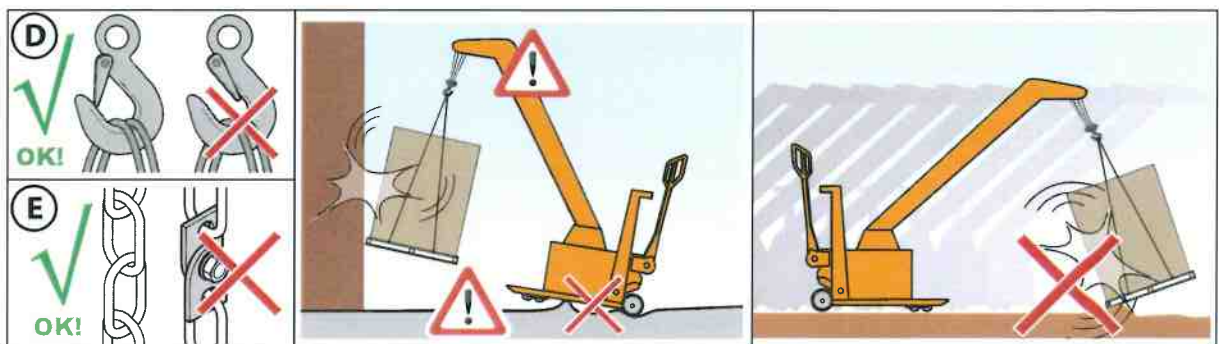
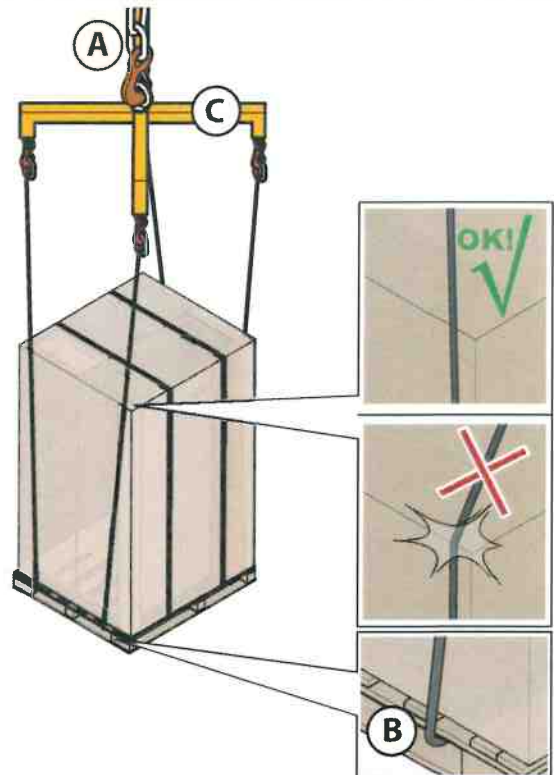
Check the flatness of the ground where the lifting equipment is standing, making sure it is stable and not prone to subsidence.

Do not move the lifting equipment during the operation.

Before starting lifting, check correct anchoring to the mentioned points and the centre of gravity, then slowly lift the packaged equipment to the minimum height required and move it carefully to avoid dangerous vibrations.

Take care of the control panel that must undergo no impacts or be exposed to the weather (rain, humidity): any damage may affect its operation.

Avoid sudden stops of the lifting or descending movement, in order to avoid dangerous oscillations.



Lifting with a transpallet or forklift truck



If the transport is done using a transpallet, ensure it is adequate to the weight and size of the packaged equipment. Insert the forks into the points provided for handling (usually in the central position), to keep the centre of gravity of the load balanced. Move the equipment carefully, avoiding sudden movements.

If the transport is done with a forklift truck, ensure this is strong enough to withstand the weight of the equipment and that this can be moved safely, without any risk of it falling.



Transport with a van

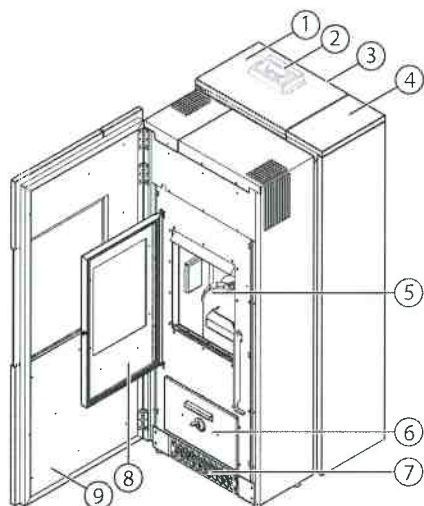


If transport is done using a van, the apparatus must be fixed properly inside it, using ropes, so that it cannot move while handling.

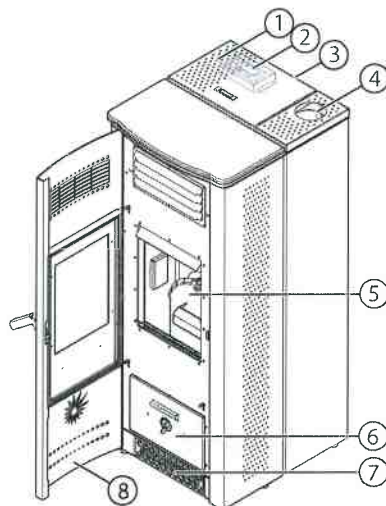


5 - DESCRIPTION OF THE PARTS

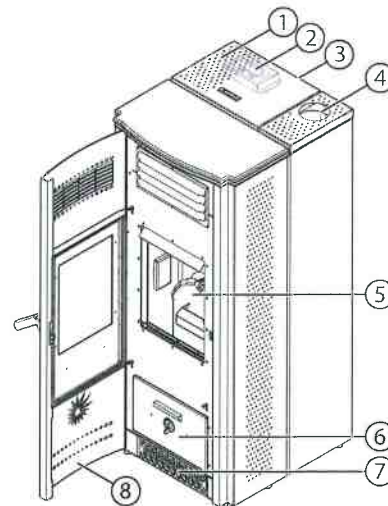
5.1 Sintesi 90/120, Trendy 90/120, Thelma&Louise 90/120, Notabene 90/120, Cippatina stoves.



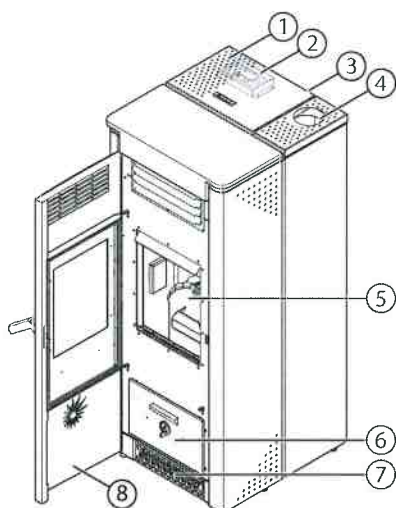
Sintesi 90/120



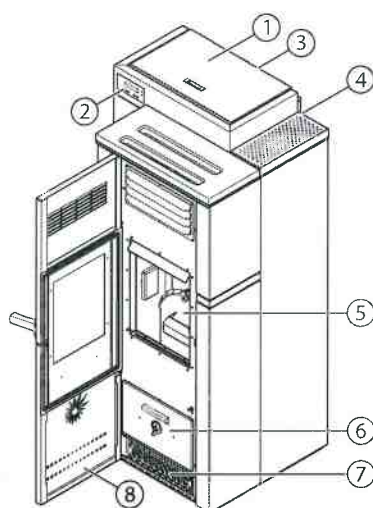
Trendy 90/120



**Thelma&Louise
90/120**



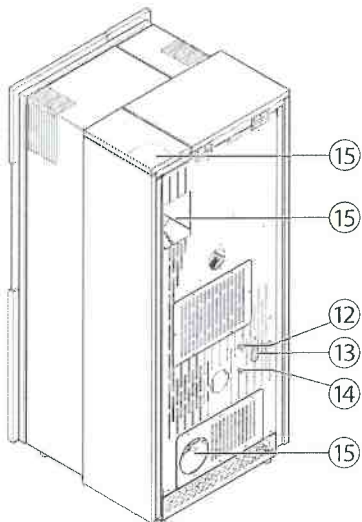
Notabene 90/120



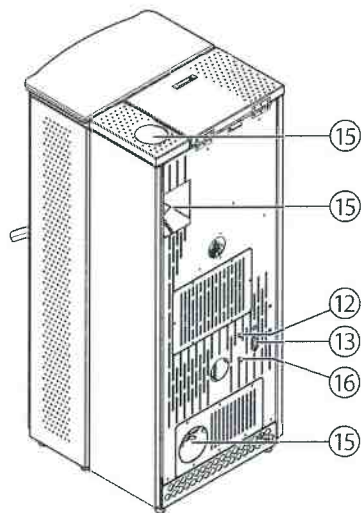
Cippatina

Description

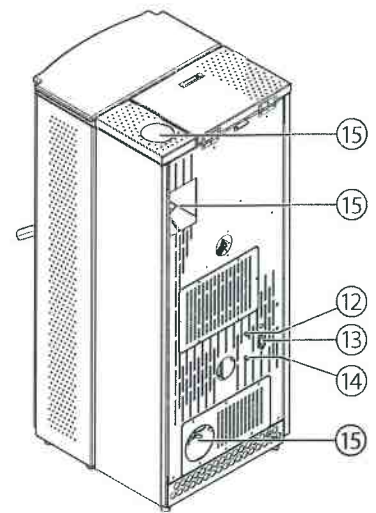
- 1) Container lid
- 2) Display
- 3) Technical data label
- 4) Top discharge arrangement
- 5) Burner
- 6) Ash drawer
- 7) Air filter
- 8) Hearth door
- 9) Front door
- 10) Ash drawer door
- 11) Glass cleaning air adjuster



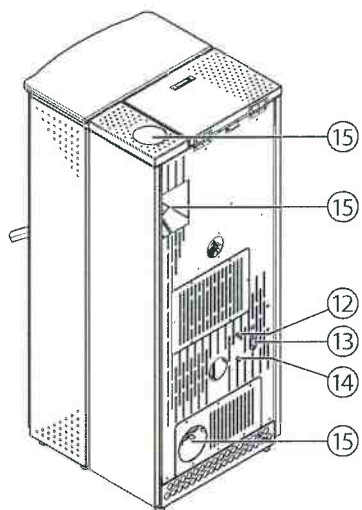
Sintesi 90/120



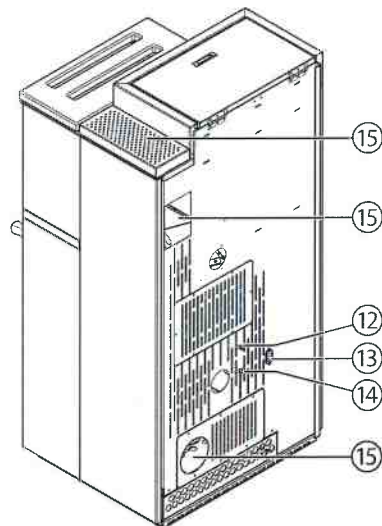
Trendy 90/120



**Thelma&Louise
90/120**



Notabene 90/120

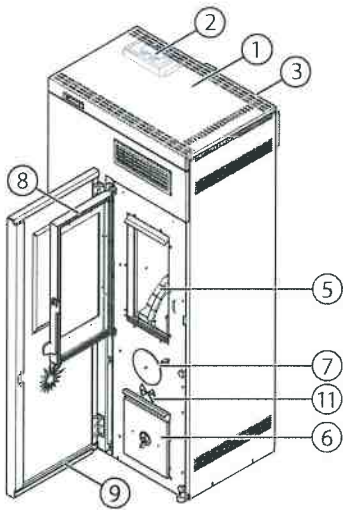


Cippatina

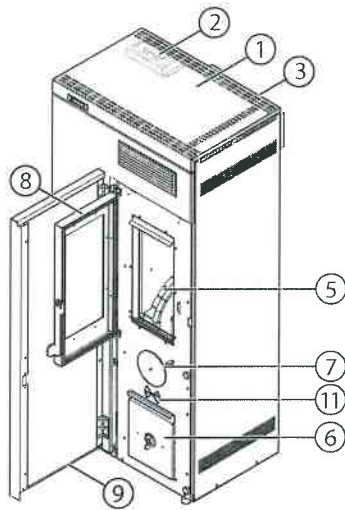
Description

- 12) Auger thermostat
- 13) Electrical outlet
- 14) Boiler thermostat
- 15) Flue gas discharge

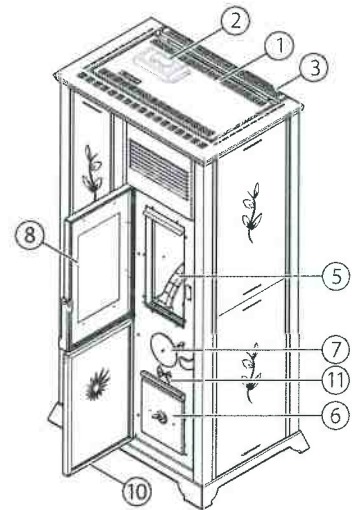
5.2 Lia, Lia Plus, Carmen, Loren stoves.



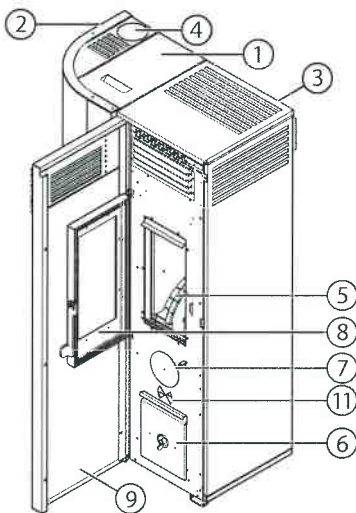
Lia



Lia Plus



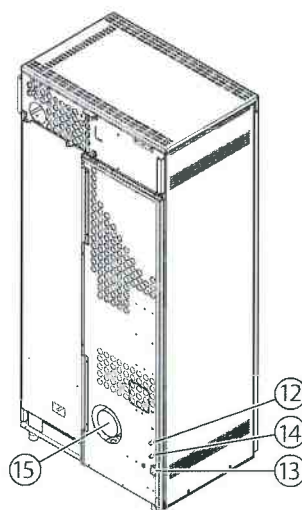
Carmen



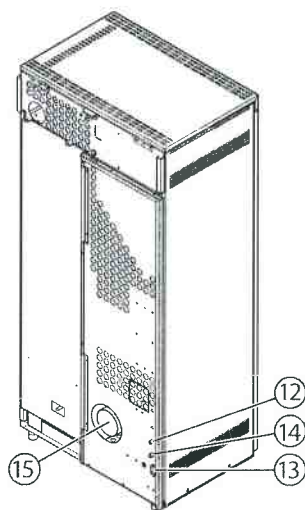
Loren

Description

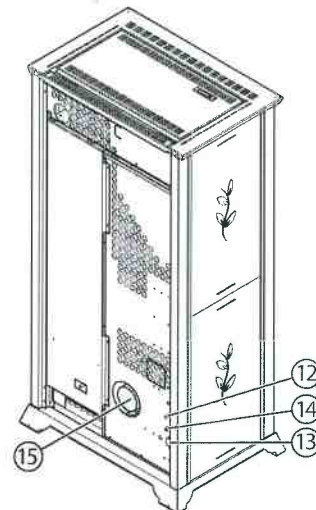
- 1) Container lid
- 2) Display
- 3) Technical data label
- 4) Top discharge arrangement
- 5) Burner
- 6) Ash drawer
- 7) Explosion relief
- 8) Hearth door
- 9) Front door
- 10) Ash drawer door
- 11) Glass cleaning air adjuster



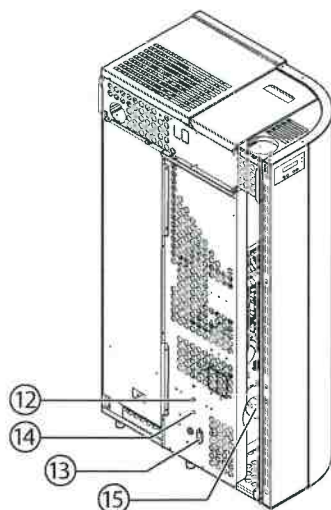
Lia



Lia Plus



Carmen

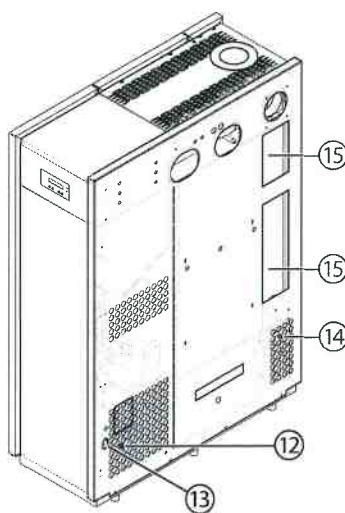
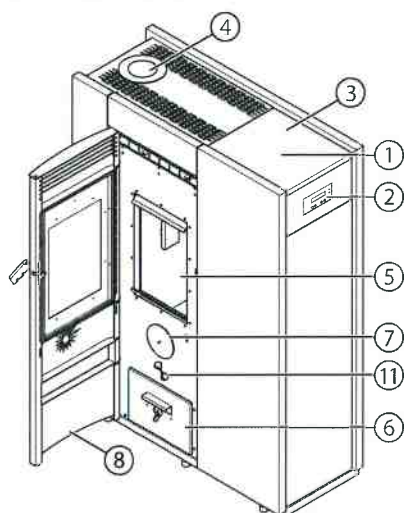


Loren

Description

- 12) Auger thermostat
- 13) Electrical outlet
- 14) Boiler thermostat
- 15) Flue gas discharge

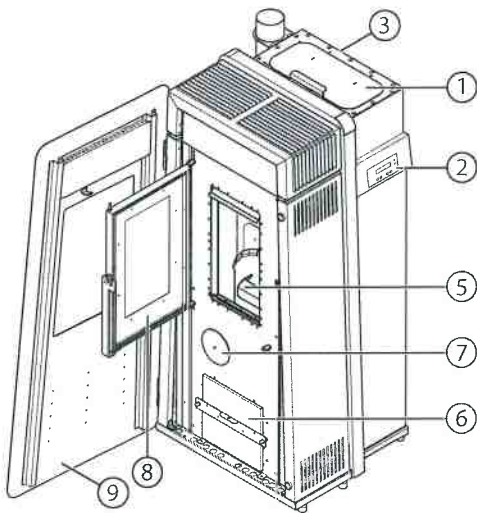
5.3 Tesi stove



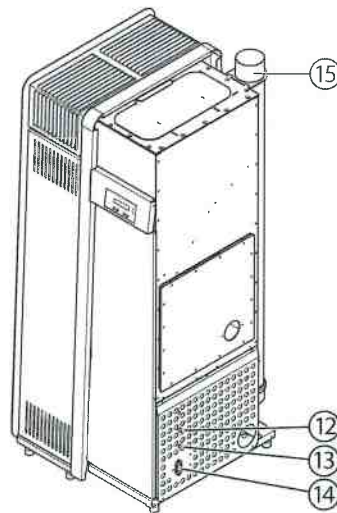
Description

- 1) Container lid
- 2) Display
- 3) Technical data label
- 4) Top discharge arrangement
- 5) Burner
- 6) Ash drawer
- 7) Explosion relief
- 8) Hearth door
- 9) Front door
- 10) Ash drawer door
- 11) Glass cleaning air adjuster
- 12) Auger thermostat
- 13) Electrical outlet
- 14) Boiler thermostat
- 15) Flue gas discharge

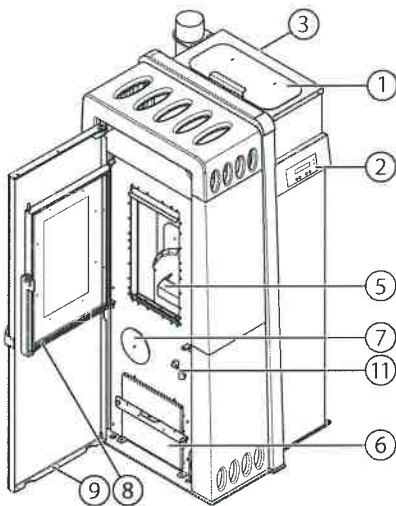
5.4 Silenzio, Libera and Maya stoves.



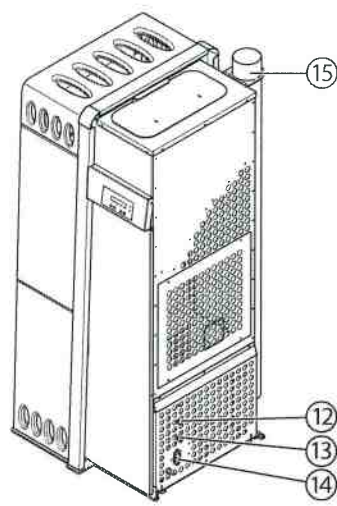
Silenzio / Libera



Silenzio / Libera



Maya

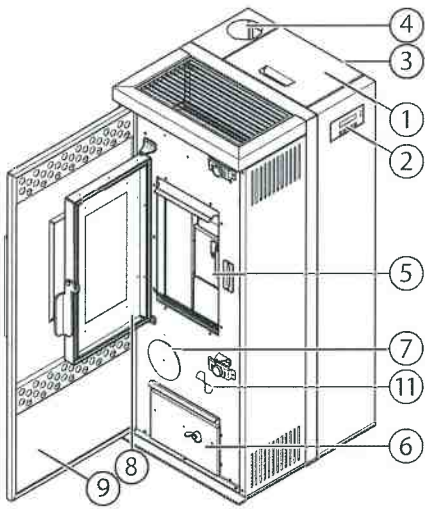


Maya

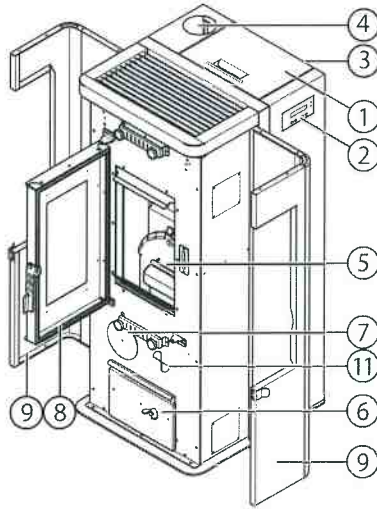
Description

- | | |
|---------------------------------|------------------------|
| 1) Container lid | 12) Auger thermostat |
| 2) Display | 13) Electrical outlet |
| 3) Technical data label | 14) Boiler thermostat |
| 4) Top discharge arrangement | 15) Flue gas discharge |
| 5) Burner | |
| 6) Ash drawer | |
| 7) Explosion relief | |
| 8) Hearth door | |
| 9) Front door | |
| 10) Ash drawer door | |
| 11) Glass cleaning air adjuster | |

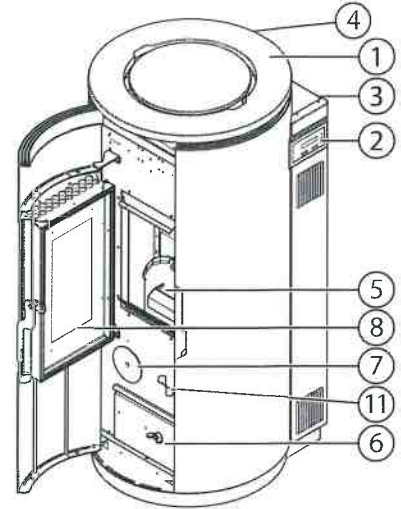
5.5 Andy and Scrigno stoves.



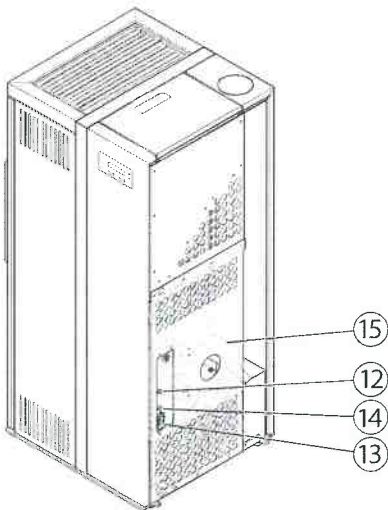
Andy



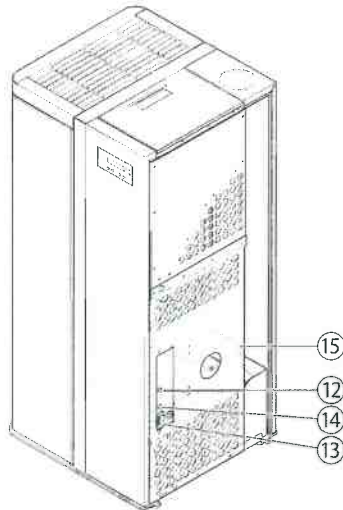
Scrigno



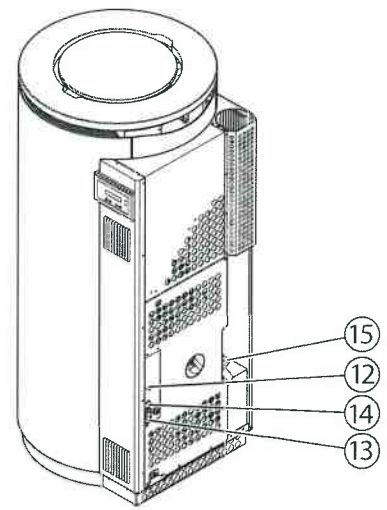
Leire



Andy



Scrigno

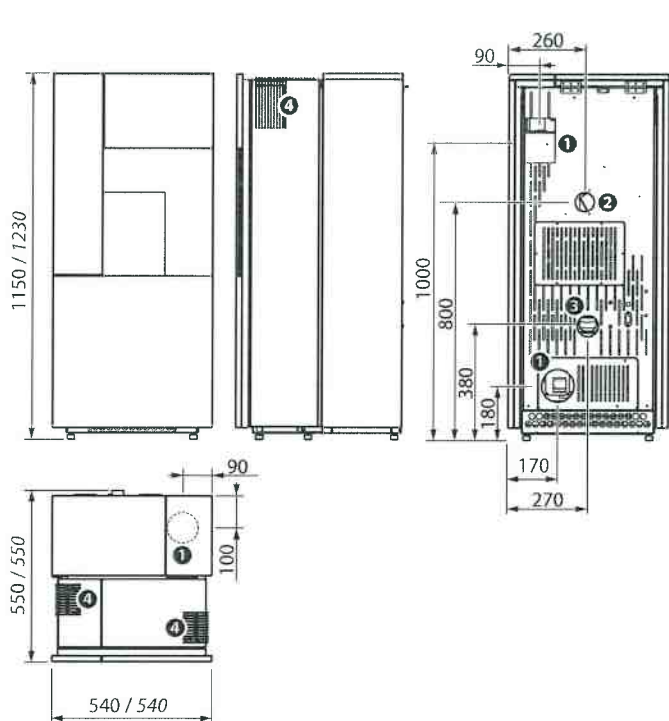


Leire

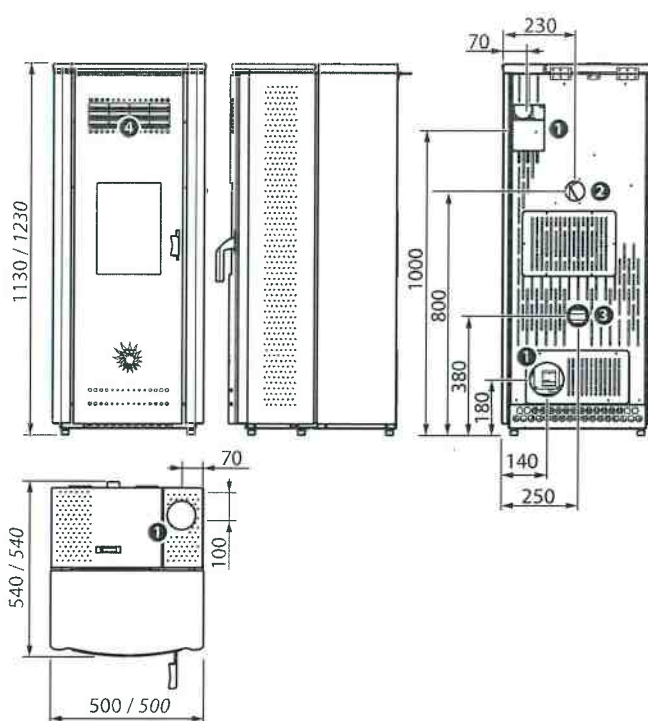
Description

- | | |
|---------------------------------|------------------------|
| 1) Container lid | 12) Auger thermostat |
| 2) Display | 13) Electrical outlet |
| 3) Technical data label | 14) Boiler thermostat |
| 4) Top discharge arrangement | 15) Flue gas discharge |
| 5) Burner | |
| 6) Ash drawer | |
| 7) Explosion relief | |
| 8) Hearth door | |
| 9) Front door | |
| 10) Ash drawer door | |
| 11) Glass cleaning air adjuster | |

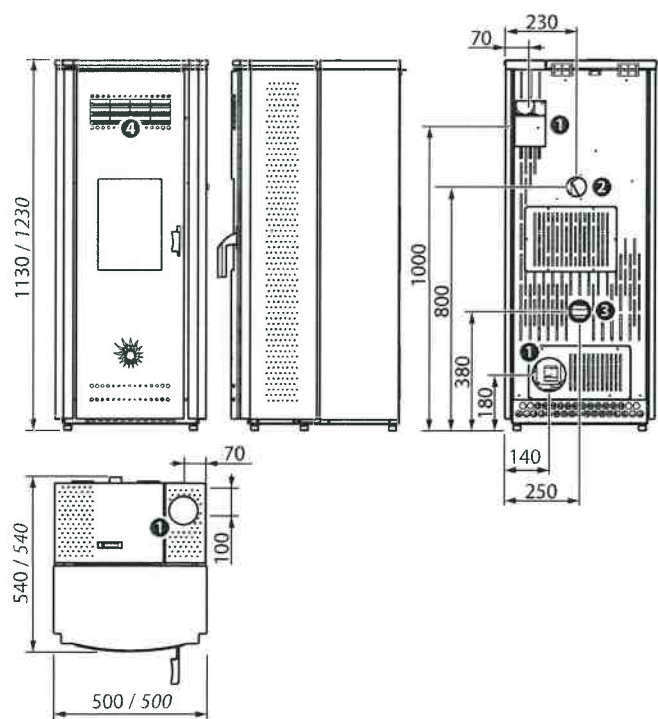
5.6 Stove dimensions



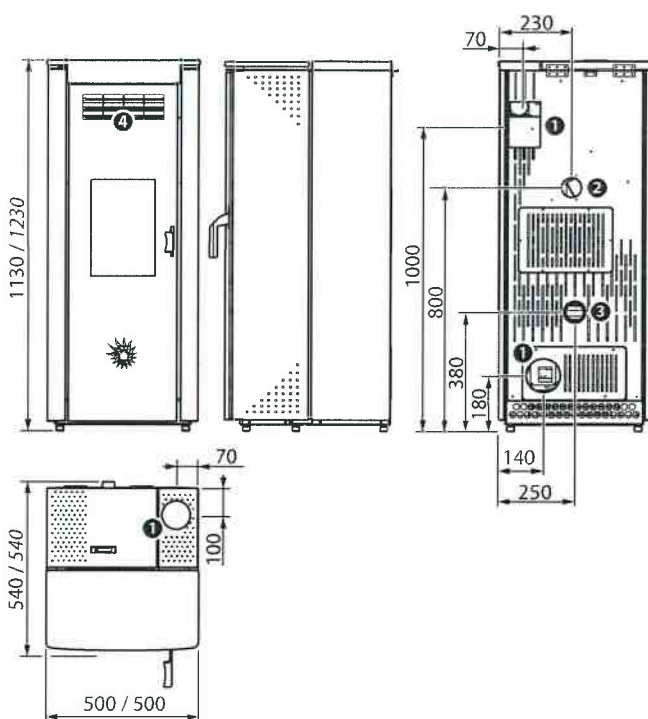
Sintesi 90/120



Trendy 90/120



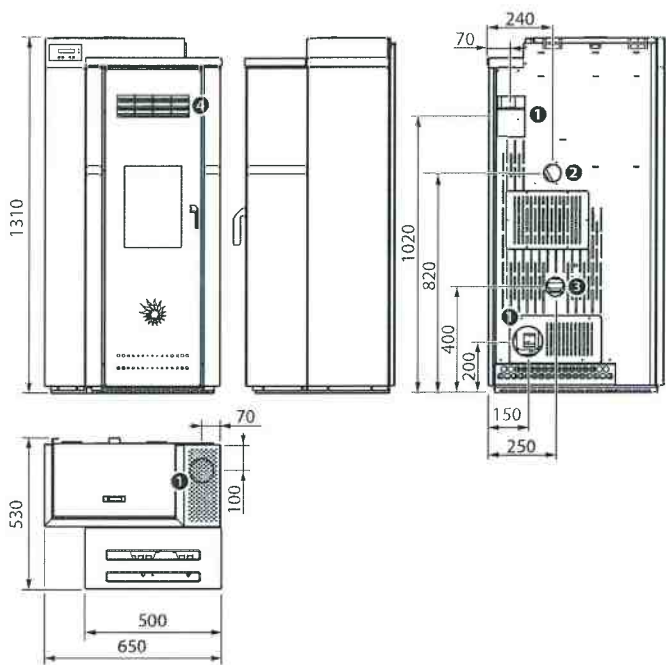
Thelma&Louise 90/120



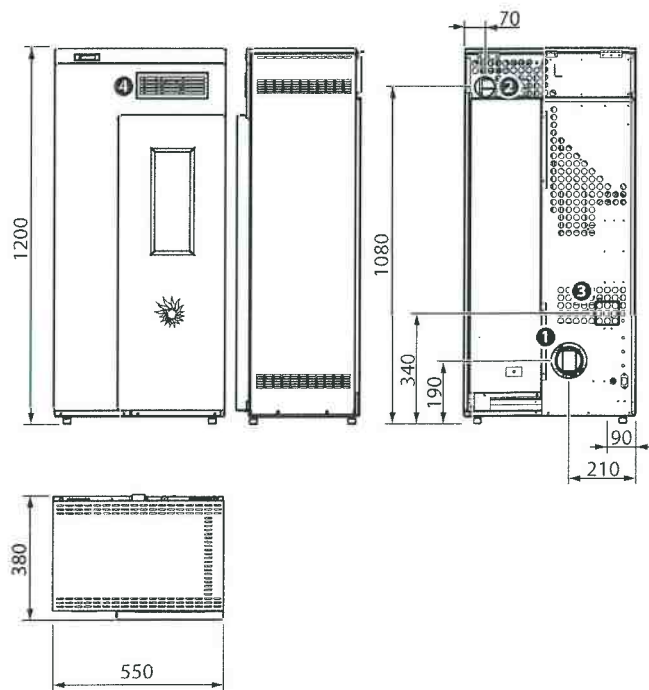
Notabene 90/120

- 1** Flue gas discharge
- 2** Duct arrangement

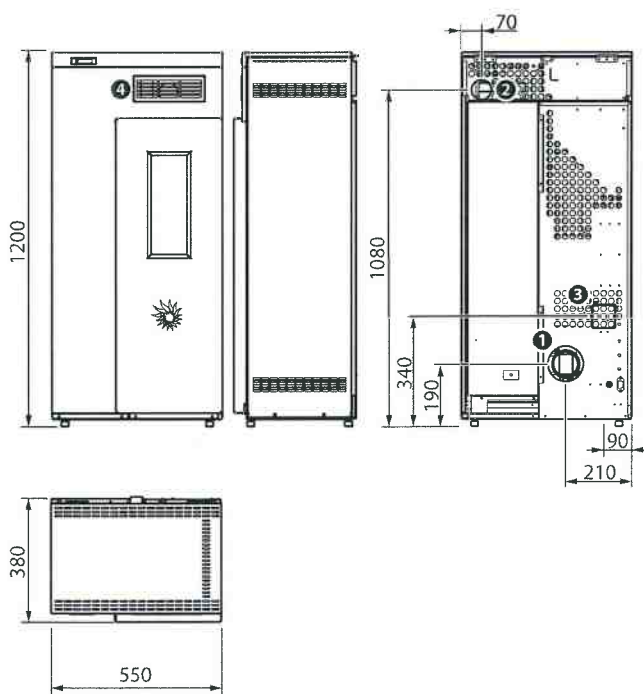
- 3** External air intake
- 4** Hot air outlet



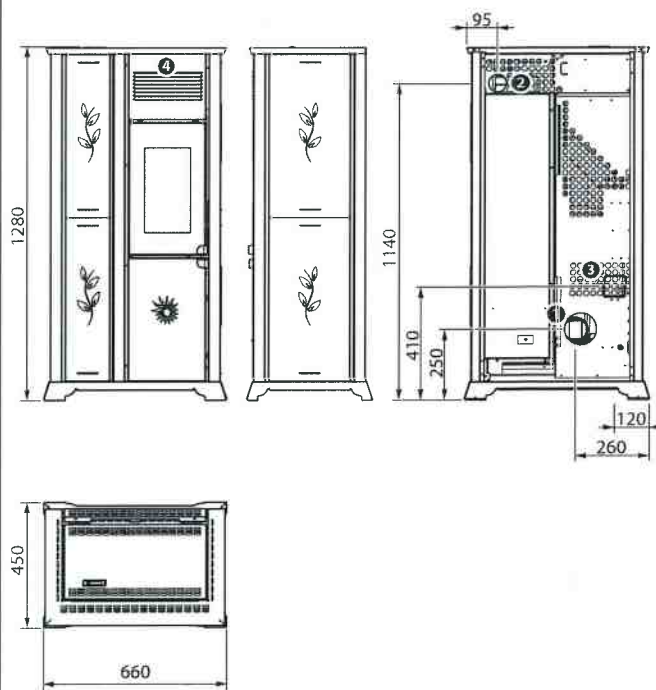
Cippatina



Lia



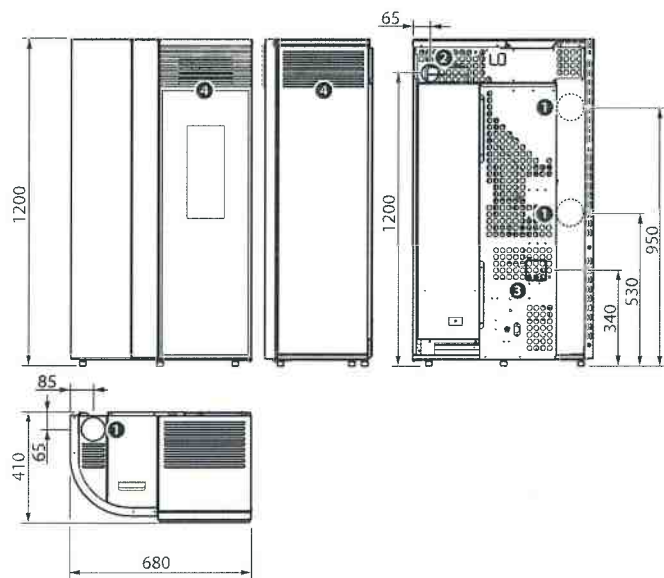
Lia Plus



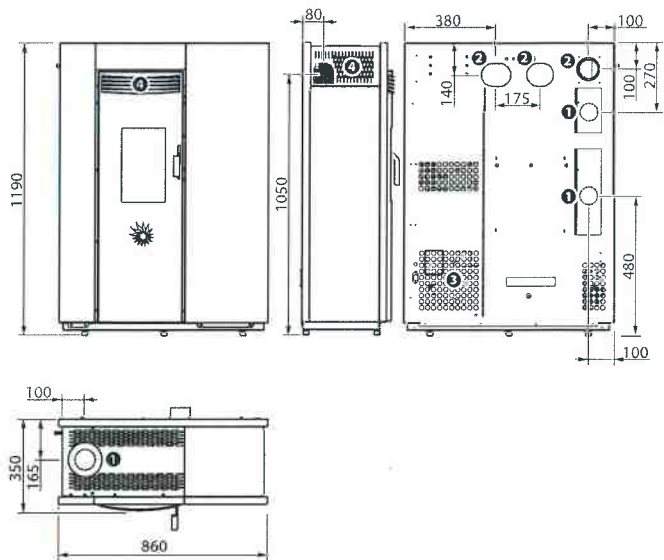
Carmen

- 1** Flue gas discharge
- 2** Duct arrangement

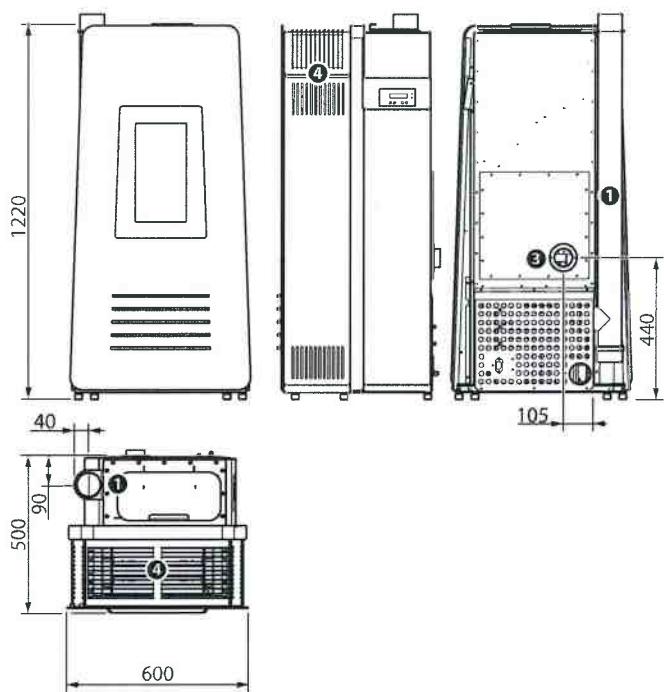
- 3** External air intake
- 4** Hot air outlet



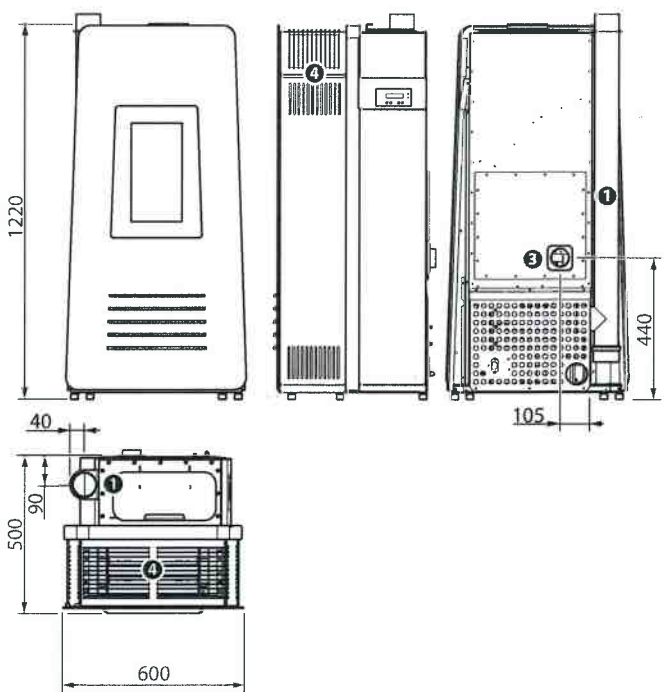
Loren



Tesi



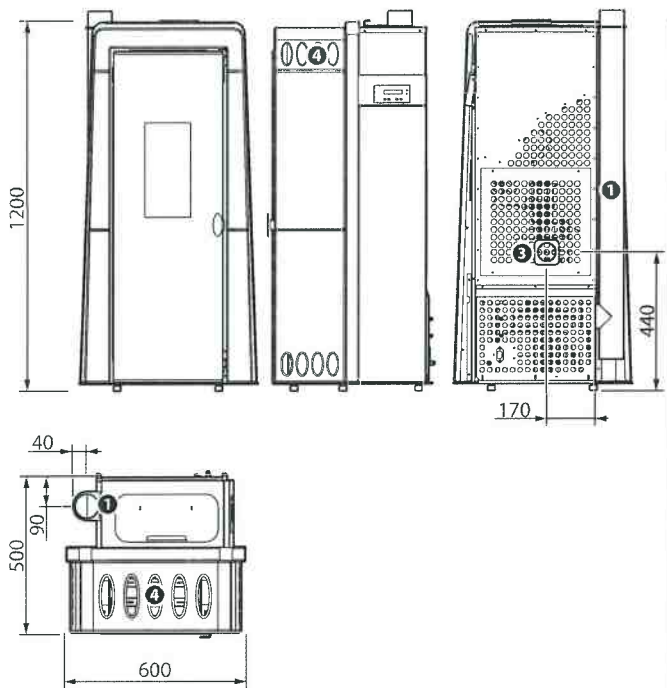
Silenzio



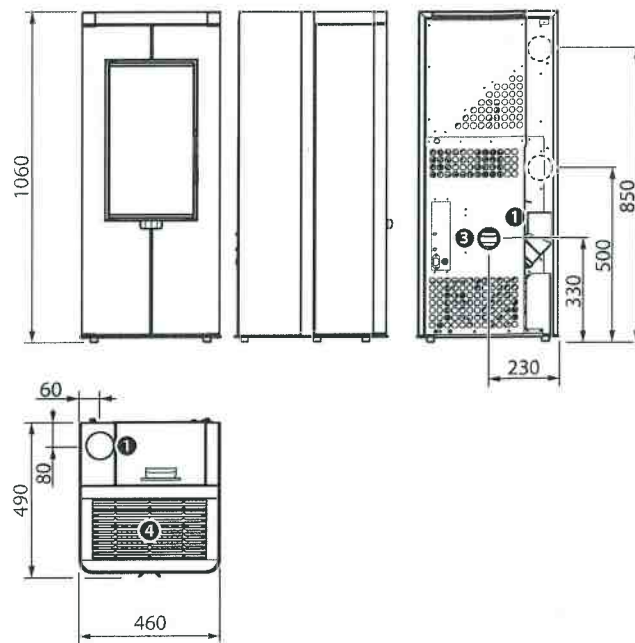
Libera

- 1** Flue gas discharge
- 2** Duct arrangement

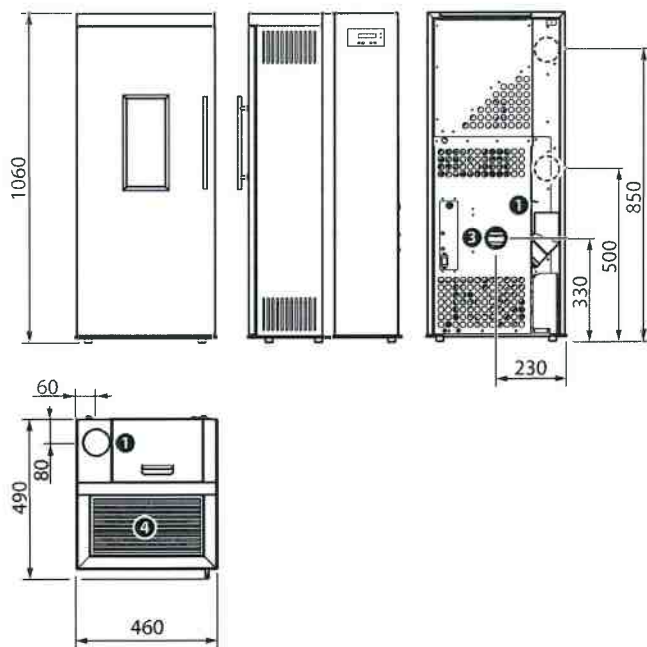
- 3** External air intake
- 4** Hot air outlet



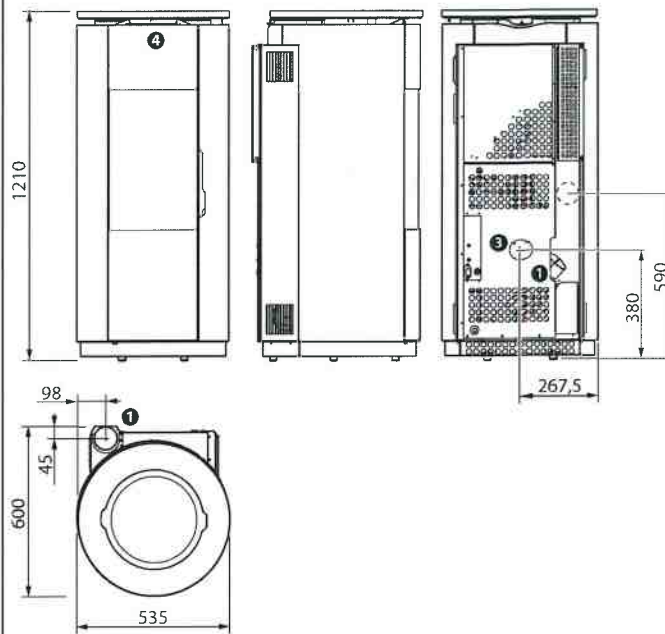
Maya



Scrigno



Andy



Leire

- 1** Flue gas discharge
- 2** Duct arrangement

- 3** External air intake
- 4** Hot air outlet

5.7 Pellet container

All stove models are fitted with an internal container to load the pellets. Capacity varies according to the model. The container is always in the top part of the appliance and is protected by a lid.

To load, lift the lid and let the pellets slide into the container.

Find below an example with a stove model (Thelma&Louise), the system for the other stoves is exactly the same.




	Container capacity (kg)
Sintesi 90	16
Sintesi 120	20
Trendy 90	16
Trendy 120	20
Thelma&Louise 90	16
Thelma&Louise 120	20
Notabene 90	16
Notabene 120	20
Cippatina	14 ÷ 28
Lia	17
Lia Plus	17
Carmen	17
Loren	17
Tesi	18
Silenzio	20
Libera	20
Maya	20
Scigno	12
Andy	12
Leire	15

5.8 Stove serial plate


The plate with the data regarding the stove is located on its back. It supplies important technical information that is vital in case of a request for maintenance or repair of the equipment. Please do not remove, damage or modify it.

Find below an example of serial plate, the details regarding your stove can be found in the following chapter.



CSTHERMOS
STUFE A BIOMASSA

San Vendemiano (Treviso) ITALIA



EN 14785.2006

MODELLO		NUMERO DI SERIE	XX-XX-XX
COMBUSTIBILE		FREQUENZA NOMINALE	Hz
POTENZA INTRODotta	kW	TENSIONE NOMINALE	V
POTENZA TERMICA NOMINALE	kW	POTENZA ELETTRICA NOMINALE	W
POTENZA TERMICA RIDOTTA	kW	CO AL 13% DI O ² NOMINALE	%
RENDIMENTO POT. NOMINALE	%	CO AL 13% DI O ² RIDOTTA	%
RENDIMENTO POT. RIDOTTA	%	PPBT al 13% O ²	mg/Nm ³

DISTANZA MINIMA DA MATERIALI INFIAMMABILI: 100 mm SU TUTTI I LATI
USARE SOLO I COMBUSTIBILI RACCOMANDATI - LEGGERE LE ISTRUZIONI D'USO

6 STOVE TECHNICAL DATA

TECHNICAL DATA	UNITS OF MEASUREMENT	Sintesi 90	Sintesi 120	Trendy 90	Trendy 120	Thelma&Louise 90	Thelma&Louise 120
Thermal power input (wood pellet fuel)	kW	9.0 *	12.0 *	9.0 *	12.0 *	9.0 *	12.0 *
Rated thermal power (wood pellet fuel)	kW	8.1 *	10.8 *	8.1 *	10.8 *	8.1 *	10.8 *
Reduced thermal power (wood pellet fuel)	kW	2.5	4.0	2.5	4.0	2.5	4.0
Rated power output (wood pellet fuel)	%	91.0 *	90.0 *	91.0 *	90.0 *	91.0 *	90.0 *
Reduced power output (wood pellet fuel)	%	89.0	88.0	89.0	88.0	89.0	88.0
CO (13% O²) RATED POWER	g/Nm ³	0,18	0,19	0,18	0,19	0,18	0,19
CO (13% O²) REDUCED POWER	g/Nm ³	0,43	0,46	0,43	0,46	0,43	0,46
PP 13% O²	mg/Nm ³	25.6	21.2	25.6	21.2	25.6	21.2
Noise	dB	<47	<47	<47	<47	<47	<47
Fuel		Wood pellet EN ISO 17225-2	Wood pellet EN ISO 17225-2	Wood pellet EN ISO 17225-2	Wood pellet EN ISO 17225-2	Wood pellet EN ISO 17225-2	Wood pellet EN ISO 17225-2
Consumption at maximum power (wood pellet fuel)	Kg/h	1.8 max **	2.3 max **	1.8 max **	2.3 max **	1.8 max **	2.3 max **
Maximum autonomy with continuous operation at power 1 (wood pellet fuel)	h	23 max **	29 max **	23 max **	29 max **	23 max **	29 max **
Pellet container capacity	Kg	~16	~20	~16	~20	~16	~20
Heatable volume	m ³	150÷280 max ***	230÷370 max ***	150÷280 max ***	230÷370 max ***	150÷280 max ***	230÷370 max ***
Smoke outlet diameter	mm	80	80	80	80	80	80
Smoke temperature	°C	210 max	210 max	210 max	210 max	210 max	210 max
Power supply	V	V230~/ 50Hz	V230~/ 50Hz	V230~/ 50Hz	V230~/ 50Hz	V230~/ 50Hz	V230~/ 50Hz
Maximum absorption	A	3	3	3	3	3	3
Average absorption during operation	W	110	110	110	110	110	110
Absorption when igniting	W	620 max	620 max	620 max	620 max	620 max	620 max
Dimensions	mm	see chapter	see chapter	see chapter	see chapter	see chapter	see chapter
Net weight	Kg	~195	~220	~150	~160	~150	~160
Environmental quality class (Min. Decree 186)	3	3	3	3	3	3	3

* The fire and rated power as well as the efficiency are measured in a lab test in optimal installation conditions.

** The data was recorded in a lab test in optimal conditions. Hourly consumption can vary according to the type of pellets used and the installation.

*** The heatable volume is subject to variation according to installation conditions, type of house insulation and external climatic conditions connected with the geographic location.

Notabene 90	Notabene 120	Cippatina	Lia	Lia Plus	Carmen	Loren	Tesi	Silenzio	Libera/Maya	Scrigno	Leire	Andy
9,0 *	12,0 *	12,0 *	8,0 *	8,0 *	8,0 *	8,0 *	10,0 *	7,9 *	9,5 *	8,9 *	8,9 *	8,9 *
8,1 **	10,8 *	10,8 *	7,0 *	7,0 *	7,0 *	7,0 *	8,5 **	7,2 **	8,6 *	8,0 *	8,0 *	8,0 *
2,5	4,0	4,0	2,5	2,5	2,5	2,5	4,0	2,5	2,5	2,5	2,5	2,5
91,0 *	90,0 *	90,0 *	87,1 *	87,1 *	87,1 *	87,1 *	85,2 *	91,0 *	91,0 *	90,7 *	90,7 *	90,7 *
89,0	88,0	88,0	89,0	89,0	89,0	89,0	85,3	93,5	93,5	94,5	94,5	94,5
0,18	0,19	0,19	0,21	0,21	0,21	0,21	0,22	0,17	0,17	0,06	0,06	0,06
0,43	0,46	0,46	0,23	0,23	0,23	0,23	0,47	0,50	0,50	0,37	0,37	0,37
25,6	21,2	21,2	17,9	17,9	17,9	17,9	17,08	26,2	26,2	8,3	8,3	8,3
<47	<47	<52	<47	<47	<47	<47	<47	<42	<42	<47	<47	<47
Wood pellet EN ISO 17225-2	Wood pellet EN ISO 17225-2	P16A - M10 Chips Wood pellets	Wood pellet EN ISO 17225-2	Wood pellet EN ISO 17225-2	Wood pellet EN ISO 17225-2	Wood pellet EN ISO 17225-2	Wood pellet EN ISO 17225-2	Wood pellet EN ISO 17225-2	Wood pellet EN ISO 17225-2	Wood pellet EN ISO 17225-2	Wood pellet EN ISO 17225-2	Wood pellet EN ISO 17225-2
1.8 max **	2.3 max **	2.3 max **	1.7 max **	1.7 max **	1.7 max **	1.7 max **	2.0 max **	1.6 max **	1.9 max **	máx 1,8 **	máx 1,8 **	máx 1,8 **
23 max **	29 max **	Chips 12 max** Pellets 25 max**	24 max **	24 max **	24 max **	24 max **	26 max **	30 max **	30 max **	16 max **	20 max **	16 max **
~16	~20	Chips 14~ Pellets 28 ~	~17	~17	~17	~17	~18	~20	~20	~12	~15	~12
150÷280 max ***	230÷370 max ***	230÷370 max ***	120÷230 max ***	120÷230 max ***	120÷230 max ***	120÷230 max ***	150÷280 max ***	100÷230 max ***	100÷270 max ***	120÷230 max ***	120÷230 max ***	120÷230 max ***
80	80	80	80	80	80	80	80	80	80	80	80	80
210 max	210 max	210 max	210 max	210 max	210 max	210 max	210 max	210 max	210 max	210 max	210 max	210 max
V230~ / 50Hz	V230~ / 50Hz	V230~ / 50Hz	V230~ / 50Hz	V230~ / 50Hz	V230~ / 50Hz	V230~ / 50Hz	V230~ / 50Hz	V230~ / 50Hz	V230~ / 50Hz	V230~ / 50Hz	V230~ / 50Hz	V230~ / 50Hz
3	3	3	3	3	3	3	3	3	3	3	3	3
110	110	130	90	90	90	90	110	80	80	110	110	110
620 max	620 max	650 max	620 max	620 max	620 max	620 max	620 max	620 max	620 max	620 max	620 max	620 max
see chapter	see chapter	see chapter	see chapter	see chapter	see chapter	see chapter	see chapter	see chapter	see chapter	see chapter	see chapter	see chapter
~150	~160	~175	~110	~110	~120	~125	~145-195	~150	~150	~130	~180	~120
3	3	3	4	4	4	4	3	3	3	5	5	5

* The fire and rated power as well as the efficiency are measured in a lab test in optimal installation conditions.

** The data was recorded in a lab test in optimal conditions. Hourly consumption can vary according to the type of pellets used and the installation.

*** The heatable volume is subject to variation according to installation conditions, type of house insulation and external climatic conditions connected with the geographic location.

7 - FUELS

There are numerous types and qualities of wooden pellets on the market, so it is important to choose one that contains no glue, resins or chemicals and may cause early clogging of the smoke discharge, the formation of corrosive gases, loss of efficiency and the emission of polluting substances into the atmosphere. The pertinent regulations state that the products working with this fuel must use good quality, compact and not very floury pellets. Please ask your retailer for a suitable type of pellets, **complying with the ISO 17225-2 standard**.

The characteristics of the wooden pellets to use are as follows: 6÷8 mm in diameter, about 5÷20 mm in length, 8% humidity and 18200 kJ/kg calorific value.



The Manufacturer accepts no responsibility for the use of FUELS OTHER THAN AS STATED or the possible malfunction of the unit.



Stack the fuel bags at minimum 1 metre from the equipment.



Chopped fuels (e.g.: olive stones, shells) can be used "unmixed" with the wooden pellets, but they must have a minimum diameter of 4mm and humidity not exceeding 12%.

Self-produced fuels or fuels bought from the market but not complying with these minimum requirements must be mixed with the wood pellets. The mixture must have a percentage of wood pellets varying from 50% up to 90% according to the characteristics of the biomass (size and humidity) to ensure good operation. To get a correct mixture, weigh each fuel with a set of scales having a 100g precision factor and mix them together in a container outside and not inside the stove container, since it is not possible to obtain the necessary homogeneity inside.

7.1 Setting the fuel (Andy model excluded)

Before switching the unit on, select the type of fuel to use from the display menu, following the procedure described below:

- Select "fuel 1" to use class A1 and A2 (ISO EN 17225-2) certified wood pellets.
- Select "fuel 2" to use class B (ISO EN 17225-2) certified wood pellets.
- Select "fuel 3" to use agripellets with a humidity not exceeding 12%.
- Select "fuel 4" to use chopped or whole olive pits, almond-hazelnut shells with a 4mm minimum diameter and humidity not exceeding 12%.
- "Fuel 5" is at the technician's/dealer's discretion for settings to be used with unsuitable fuels or fuels that have not been mentioned previously.



N.B.: use only P16A-M10 sized chips FOR THE CIPPATINA MODEL, as per the UNI EN 14961-4 regulation in force, having an average size of 15X15mm and humidity lower than 15%. To use this, select lists No. 3, 4 or 5 on fuel homogeneity (list 3 for very homogeneous chips - list 5 for not homogeneous chips). No. 4 list is set as standard.



For the stove to work correctly and performance to be high, it will therefore be necessary to change the list of fuels, selecting the most suitable.

7.2 Setting the fuel (Andy model)

Before switching the unit on, select the type of fuel to use from the display menu, following the procedure described below:

- Select "fuel 1" to use class A1 certified wood pellets (ISO EN 17225-2).
- Select "fuel 2" to use class A2 certified wood pellets (ISO EN 17225-2).
- Select "fuel 3" to use uncertified wood pellets (consisting for instance of bark and branches) with low humidity (<13%) and low ash content (<0.8%).
- Select "fuel 4" to use uncertified wood pellets (consisting for instance of bark and branches) with high humidity (>13%) and high ash content (>0.8%).
- "Fuel 5" is at the technician's/dealer's discretion for settings to be used with unsuitable fuels or fuels that have not been mentioned previously.



For the stove to work correctly and performance to be high, it will therefore be necessary to change the list of fuels, selecting the most suitable.

8 - INSTALLATION

8.1 Pre-installation

Before installing the stove, check that everything has been prepared.

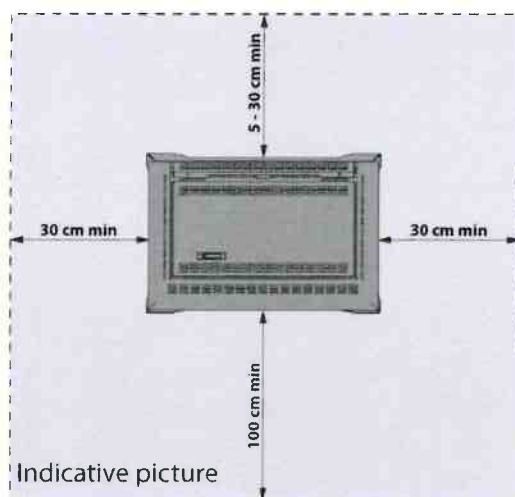
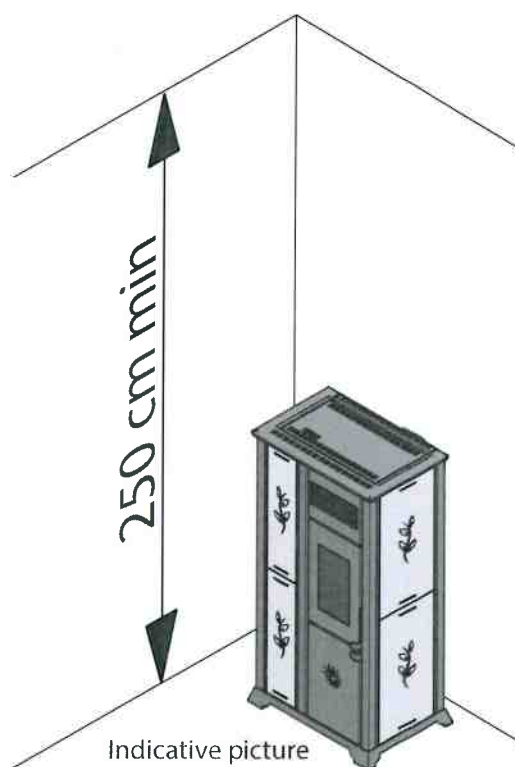
Find below a quick checklist, for the complete information always refer to the pre-installation card.

Check that:

- the surface supporting the unit is level and cannot be affected by the heat;
- if the floor does not withstand the weight of the stove, a 4mm-thick metal sheet platform in the right size must be placed in between, with insulating material, to be applied on the floor, of mineral origin (rock wool) and with a rated density exceeding 80 kg/m^3 .
- if the stove is installed on a wooden floor, we recommend a precautionary insulation of the support base with a 2mm-thick metal sheet bigger than 50mm, all inside the unit.
- The fume outlet tube must exceed 80 mm in diameter.
- minimum dimensions have been complied with;
- In case of installation near flammable or combustible walls, keep a safety distance of at least 30cm on both sides and on the back. Avoid leaving any type of combustible or flammable material within 1 meter from the front of the unit.
- there is sufficient ventilation (250cm^2 minimum);
- an appropriate flue pipe for the discharge of the fumes has been provided outside the installation area;
- a circuit breaker has been installed upstream that supplies the stove and is triggered as required;
- there is no flammable material around the installation area;

As to positioning, the installer must comply with the minimum distances from the walls and surrounding material.

The surrounding spaces will also be used as easy access in case of maintenance (see figure).



8.2 Flue pipe

For the stove to work well, the flue must be made by a qualified engineer that must comply with the regulations in force (UNI EN 10683). If that is not the case, the company cannot be held responsible for any malfunctions.

To clarify things: chimney or flue is the vertical part of a duct that is characterized by its own draft (natural convection). On the other hand, the smoke duct is the horizontal ducting necessary to connect the unit to the flue.

This unit must discharge combustion products via a vertical flue having a minimum depression of 6-8 Pa, in order to guarantee fume expulsion even if there is no electrical power or the environmental conditions are adverse.

The section of flue that gets out of the roof or remains in contact with the outside must be covered in flat tiles, or anyway, be very well isolated.

Any buildings, plants and other obstacles exceeding the height of the roof must be at a minimum distance of 3m from the chimney.

We recommend the smoke duct is provided with a chamber collecting solid materials and condensate, located under the mouth of the fume channel, so that it can be opened easily and inspected via an airtight door.

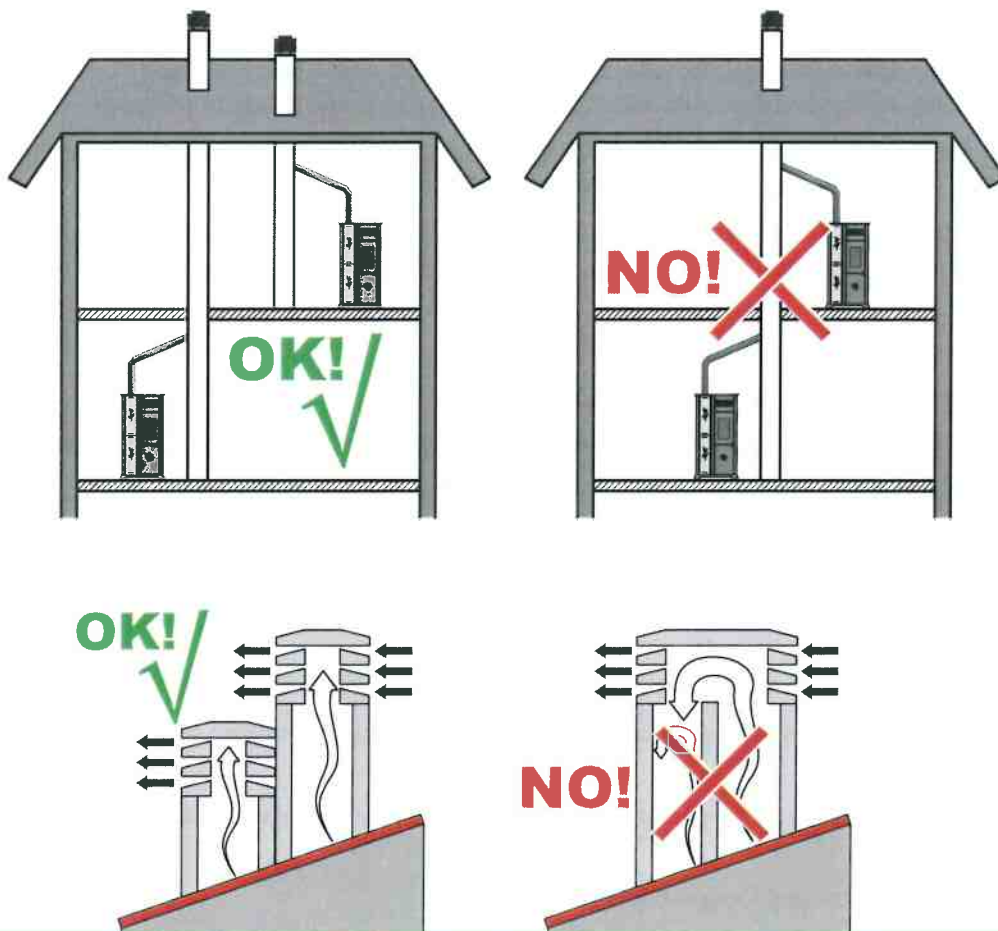
For the flue, smooth pipes and fittings must be used and assembled with suitable gaskets, to guarantee the tightness of the seal and prevent combustion gases from escaping in case of a malfunction. No corrugated hoses must be used.

IT IS ABSOLUTELY FORBIDDEN TO INSTALL THE UNIT IN A JOINT FLUE!

In particular, as to flues/smoke ducts, we wish to remind you of the following:

MATERIALS:

- They must withstand mechanical stress;



- They must withstand any acid condensation that may form from the combustion products (the use of STAINLESS STEEL 316 is recommended);
- They must be waterproof;
- They must obviously withstand the heat.
- The pipes that can be used are rigid in painted steel (minimum thickness 1.5mm) or stainless steel (minimum thickness 0.5mm). The male/female coupling collars must overlap by at least 40mm.
- The tube diameter depends on the type of system. The stove has been designed for pipes with an 80mm diameter maximum, as shown in the table; in some cases a 100mm diameter is recommended. If pipes with a 100mm diameter must be used, connect them to the stove with a "T" coupling with an 80mm diameter and a fitting \varnothing 80 - \varnothing 100.

FLUE PIPE	DIAMETER	ASSESSMENT
Pipe shorter than 5m	80mm	Correct
Pipe longer than 5m	100mm (minimum)	Mandatory
Installations located over 1200 m above sea level	100mm (minimum)	Recommended

PATTERN AND SECTIONS:

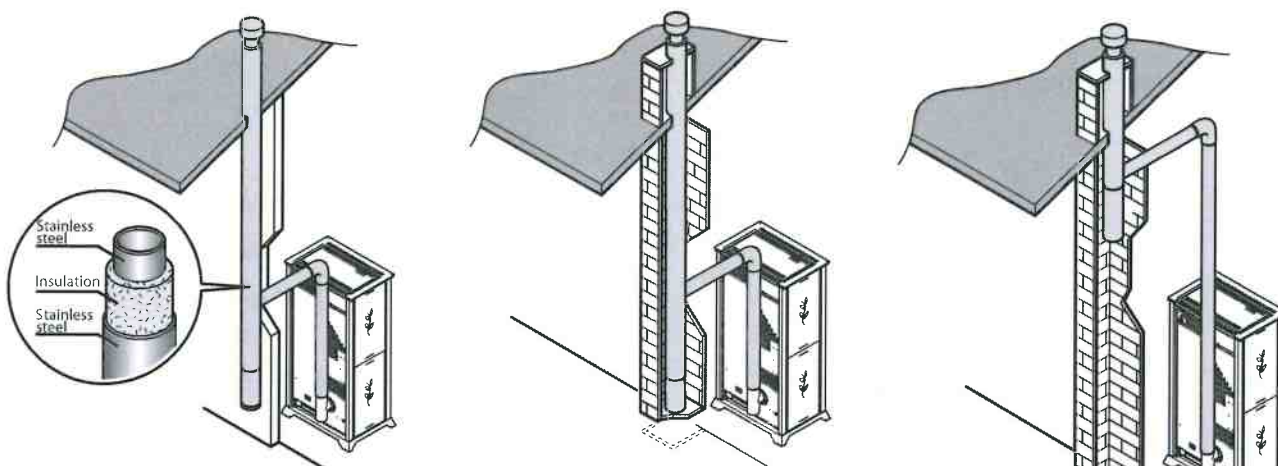
- They must be as vertical as possible, with a constant section and a smooth internal surface to prevent the accumulation of head losses that would affect the draft required to discharge the smoke.
- The lower part of the flue must be provided with a collection "T" with lid (steel flue) or with an inspection door (masonry flue), so that any condensation or soot can be collected.
- Smoke ducts connecting the unit to the flue must be as short as possible (2 - 3 metres maximum) and with two 90° turns maximum. It is important for them to have a 3-5° positive slope towards the flue to ensure the smoke goes out.
- Calculate a loss of head of 1 metre for each 90° turn.
- Calculate a loss of head of 0.5 metre for each 45° turn.
- To connect the flue and smoke duct, "T" junctions with inspection plugs must be used, to make cleaning easier.
- It is forbidden to install gates or valves that can prevent the fumes from going out.

CHIMNEY:

- In order to prevent any stove malfunction, the chimney must comply with these installation rules:
- It must be the same section and internal shape as the flue and an outlet section no less than twice the section of the flue.
- It must be a windproof chimney, to guarantee the expulsion of the smoke with winds coming from any direction and angle.
- It must prevent rain, snow and foreign bodies from getting in.

- It must not be close to other buildings, but have a free outlet that ensures combustion gases are dispersed into the atmosphere and above all, if the outlet is on a roof, its height must exceed the reflux area.

The pictures below are just an example.



INSULATION:

- Stainless steel flue: if the flue is located outside, it must be adequately insulated to guarantee good draught and prevent condensation. If the chimney is built along the outside wall, heat-insulated double-wall tubes or single-wall tubes with an adequate layer of rock-wool or ceramic fibre insulation are normally used. All chimneys must be provided with a condensation collecting plug located in the bottom part of the structure. Inside the building, simple wall tubes can be used, but have the flue sections passing through the roof space or unheated areas well insulated.
- Flue in uninsulated pre-existing masonry: in order to prevent condensation that may be visible outside the flue as humidity patches, we recommend it is ducted in a stainless steel tube.

ASSEMBLY:

- It must be possible to access all parts of the flue, so that it can be cleaned at regular intervals;
- All sections must be sealed;
- The whole structure must be able to absorb thermal expansion;
- In case of excessive draught, regulators can be fitted, on condition they do not affect the unit normal operation and guarantee minimum draught. Integration must anyway be carried out by specialized personnel.
- **WARNING: Since the regulations on the installation of pellet stoves are changed continuously, ask your installer for any upgrades.**

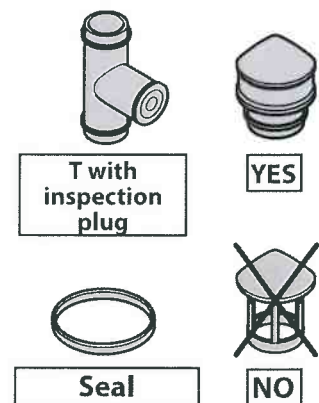
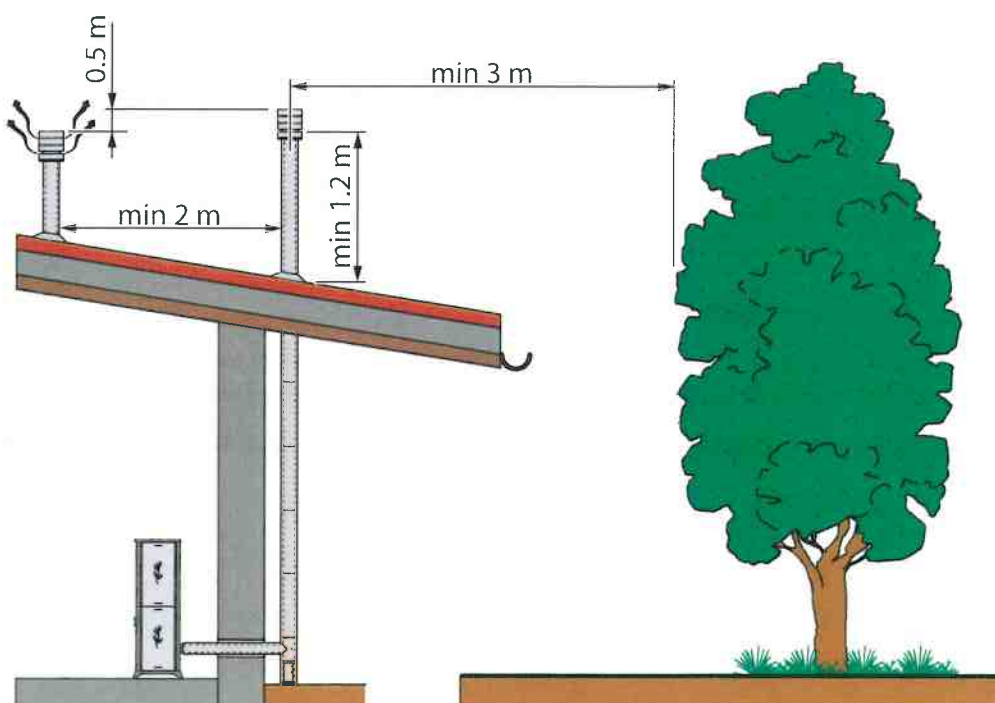
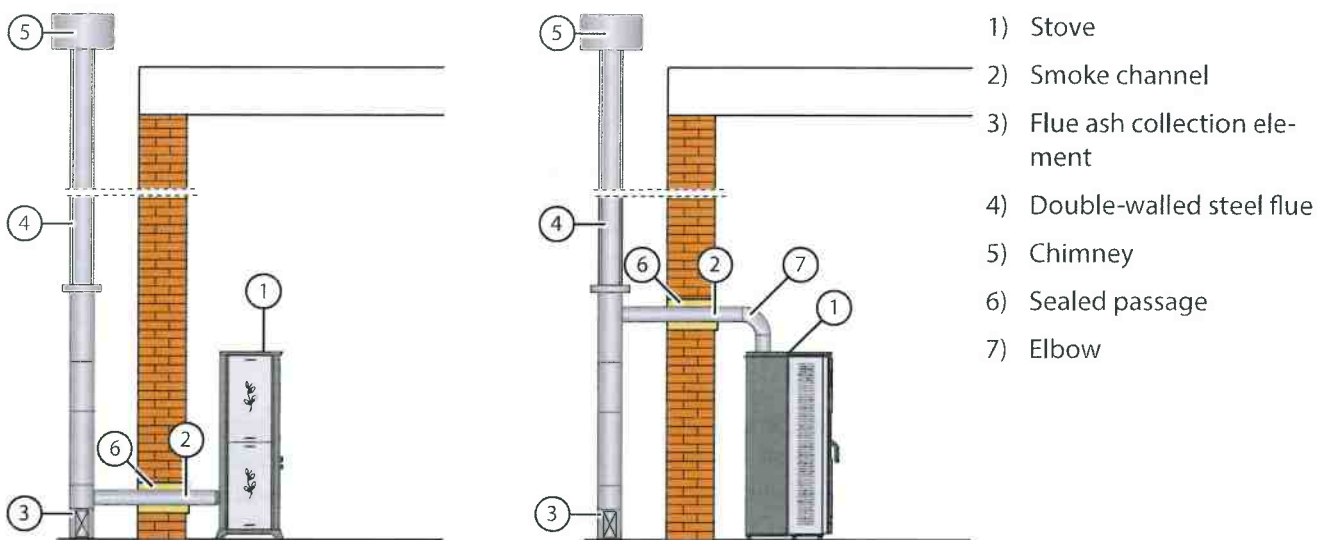
OTHER USEFUL SUGGESTIONS:

- No other heating equipment must be connected to the chimney;
- The flue must be kept at a safe distance from flammable objects;

- The flue must have the same section as the smoke discharge pipe of the stove, or bigger;
- No other pipe must be located in the flue.

In pellet stoves, smoke extraction is guaranteed by a fan keeping the combustion chamber pressurized, combined with a state-of-the-art chimney that must allow smoke evacuation using the natural draught. For this reason we recommend you contact a specialized engineer to build the flue. The costs for any modification in programming carried out by the service centres, due to the incorrect installation of the flue, will be debited to the user. If malfunctions persist and are due to the flue, the manufacturer will carry out no interventions under warranty.

Find below some examples of flues:



8.3 Electrical arrangement

All the units are fitted with an electrical supply cable: if this has to be replaced (e.g. if damaged), contact an authorized Technical Service Centre.

Before connecting the unit, make sure that:

- the electrical system is fitted with a 6A thermo-magnetic circuit breaker
- the system characteristics meet the details on the data plate applied to the unit (electrical power, rated voltage, etc.)
- the system is fitted with an efficient ground connection, in compliance with the legal regulations in force (grounding is compulsory by law)
- at no point should the supply cable reach an overtemperature of 50°C in comparison with the ambient temperature. If direct connection to the network is required, an omnipolar switch must be used, with a 3mm minimum opening between contacts, sized for the load stated on the plate and compliant with the regulations in force; the yellow/green earth wire must not be interrupted by the switch. The omnipolar switch must be easily reachable once the unit is installed.

If the unit is not used for a long time, disconnect the supply.

The Manufacturer accepts no responsibility if the above, as well as the usual safety regulations, are not complied with.

8.4 Unpacking

We recommend you unpack the equipment only after transporting it to the place where it must be installed and only at the time of installation. This operation must be done using all the possible personal protection equipment used to protect people (gloves, safety shoes, etc.).



Do not leave the packaging unattended: it is potentially harmful to children and animals (choking hazard).



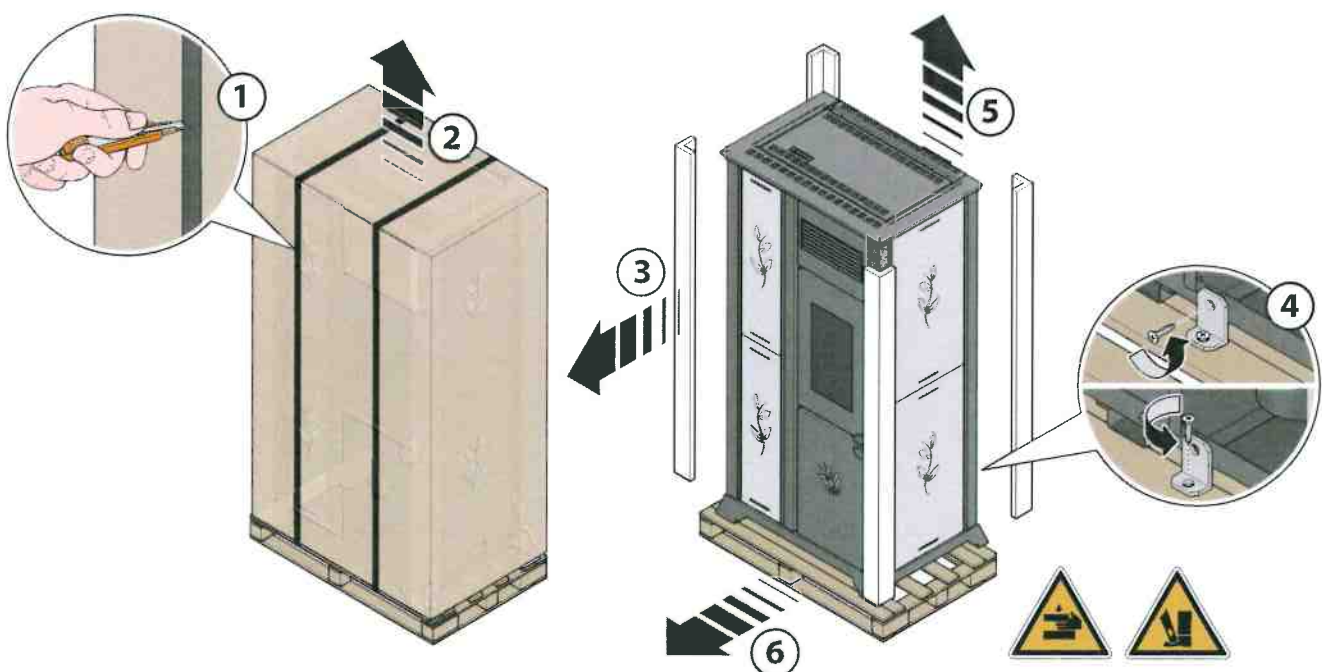
Some packaging material can be kept for future use (wooden crates, pallets, etc.), while the material that cannot be reused (polystyrene, straps, etc.) must be disposed of in compliance with the regulations in force in the country of installation: this will protect the environment!

After unpacking, check what you have received: all deliveries are accompanied by transport documents containing the list and description of the items delivered. Check all the components are present and undamaged, contact the Manufacturer in case of any problems.

While waiting for installation, components and documents must be kept in an area with the following characteristics:

- it must be dedicated only to the storage of components;
- be covered and protected from the elements (prepare a closed area, if possible), with a temperature no lower than 0°C;
- be accessible only to the operators assembling the equipment;
- have a stable floor, capable of supporting the equipment (check the load coefficient);
- be free from any other components, above all if potentially explosive/flammable/toxic.

If you cannot proceed with the installation straight away, check periodically that the above storage conditions are guaranteed.



Indicative picture

8.5 Setting up the stove

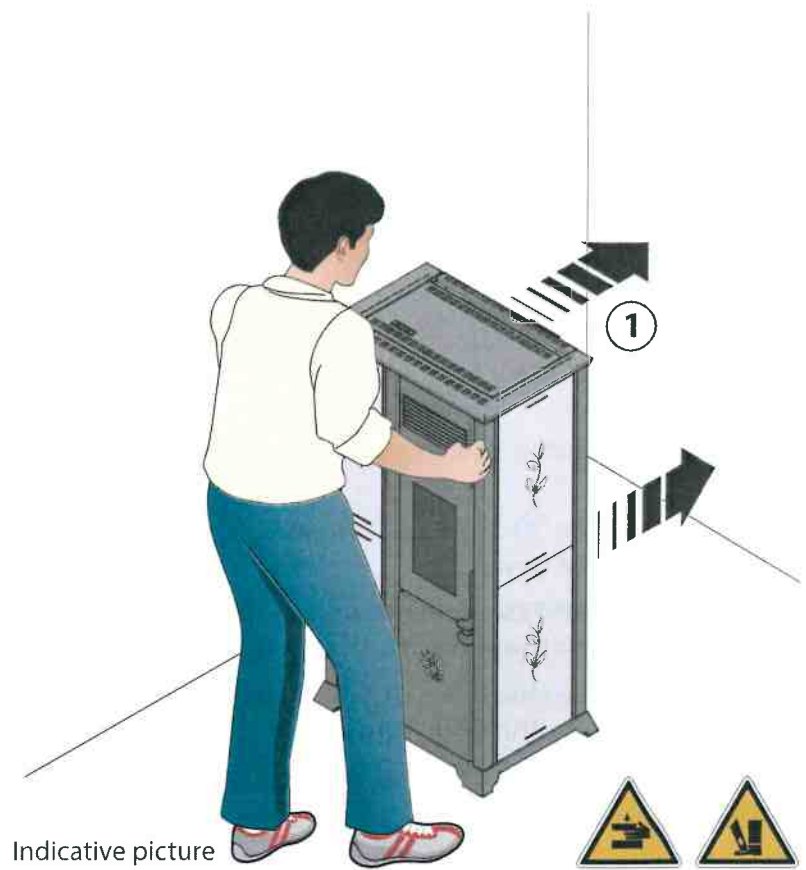
After unpacking the stove, position it in the room where it will be used.

In moving the stove, pay attention not to damage its external parts.

Please pay attention to the distances mentioned above.

In positioning the stove, make sure there are no objects underneath it that might affect its correct positioning.

Pay attention that your hands or feet are not trapped when you place the stove on the floor. Use protective gloves.



Indicative picture

8.6 Connecting the flue pipe: Sintesi 90/120, Trendy 90/120, Thelma&Louise 90/120, Notabene 90/120, Cippatina models

The stove can be connected to the previously installed flue pipe in 3 ways.

- 1) Vertically, with the pipe exiting from the top of the stove.
- 2) Horizontally, with the pipe exiting from high up on the back of the stove.
- 3) Horizontally, with the pipe exiting from low down on the back of the stove.

Please use pipes suitable to discharge pressurized fumes and fitted with seals (UNI EN 1856-1 and 1856-2).

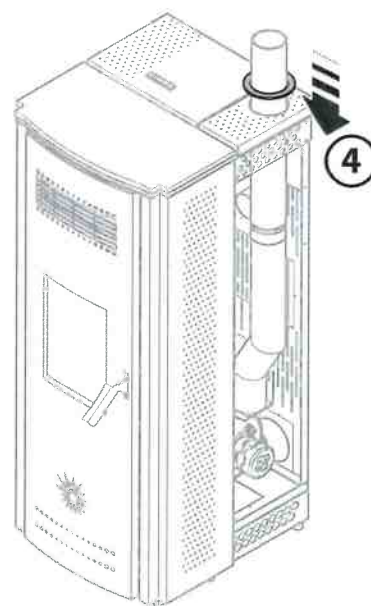
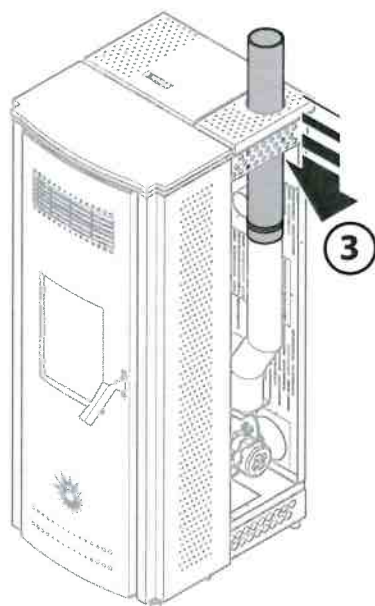
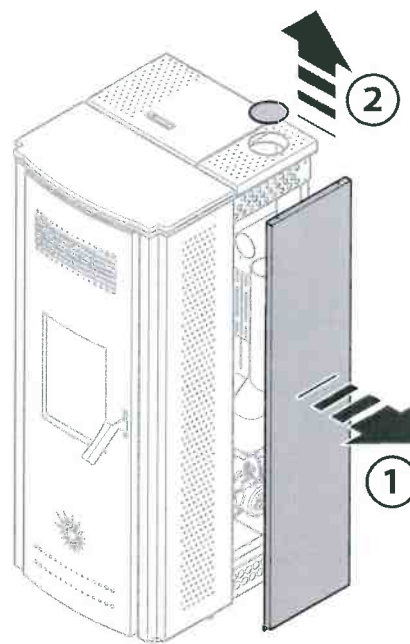
VERTICAL CONNECTION

Carry out the following operations as shown in the pictures below:

- Remove the side (1) and break the pre-cut (2) on the top decoration of the stove.

(N.B.: for the SINTESI model, the stone decoration must be replaced with the metal one supplied).

- Connect the flue pipe to the vertical extension installed by the manufacturer, inside the stove (3).
- Position the painted ring supplied on top of the stove (4) and close the side.

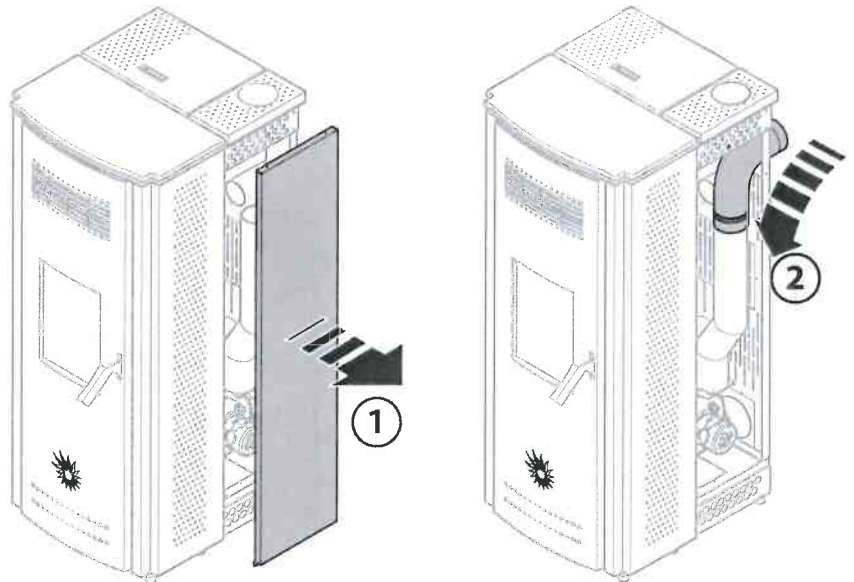


HORIZONTAL CONNECTION TO THE TOP PART

Carry out the following operations as shown in the pictures on the side:

- Remove the side ①.
- Connect a 90° bend to the vertical extension installed by the manufacturer inside the stove ②.

The assembly is shown with one model of stove, the procedure for the other models is the same.

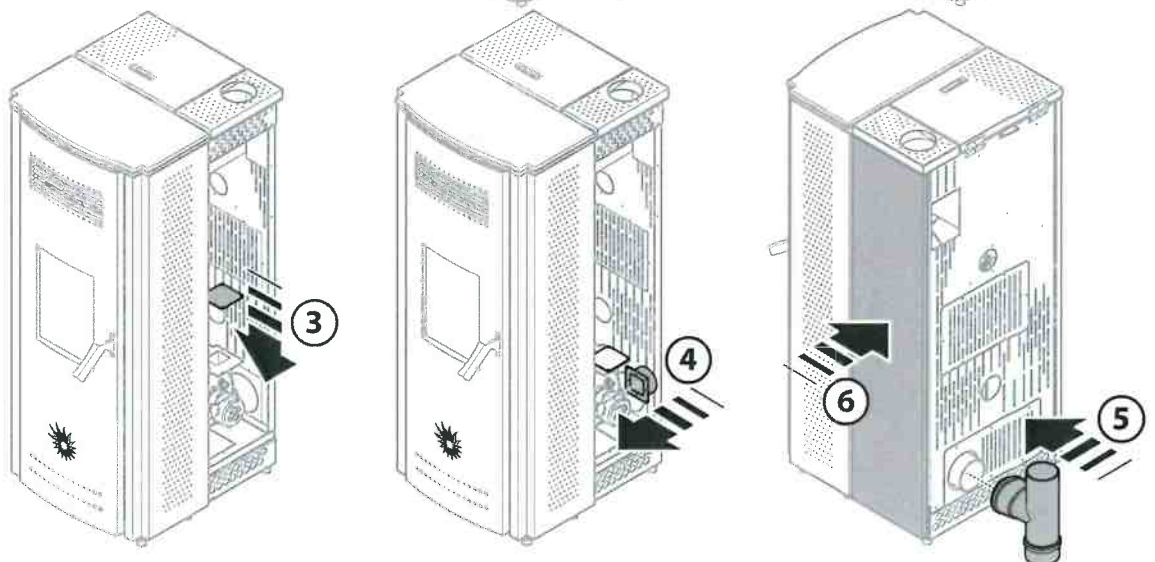


HORIZONTAL CONNECTION TO THE BOTTOM PART

Carry out the following operations as shown in the pictures on the side:

- Remove the panel ①, detach the vertical extension ②, installed by the manufacturer, replacing it with the blind flange in the back of the smoke motor.
- Assemble the flange ③ supplied with the Ø80mm junction onto the back of the smoke motor ④.
- Connect the "T" piece to the smoke discharge of the stove ⑤ and close the panel ⑥.

The assembly is shown with one model of stove, the procedure for the other models is the same.

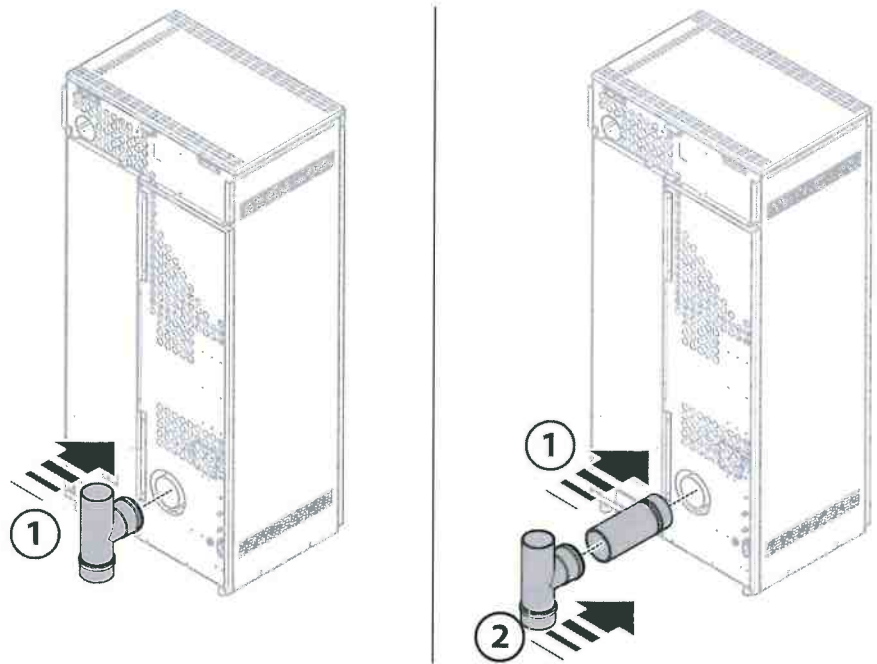


8.7 Connecting the flue pipe: Lia, Lia Plus, Carmen models

The stove can be connected to the previously installed flue pipe only horizontally, on the back. A "T" piece, or an extension followed by a "T" piece, can be connected directly.

Please use pipes suitable to discharge pressurized fumes and fitted with seals (UNI EN 1856-1 and 1856-2).

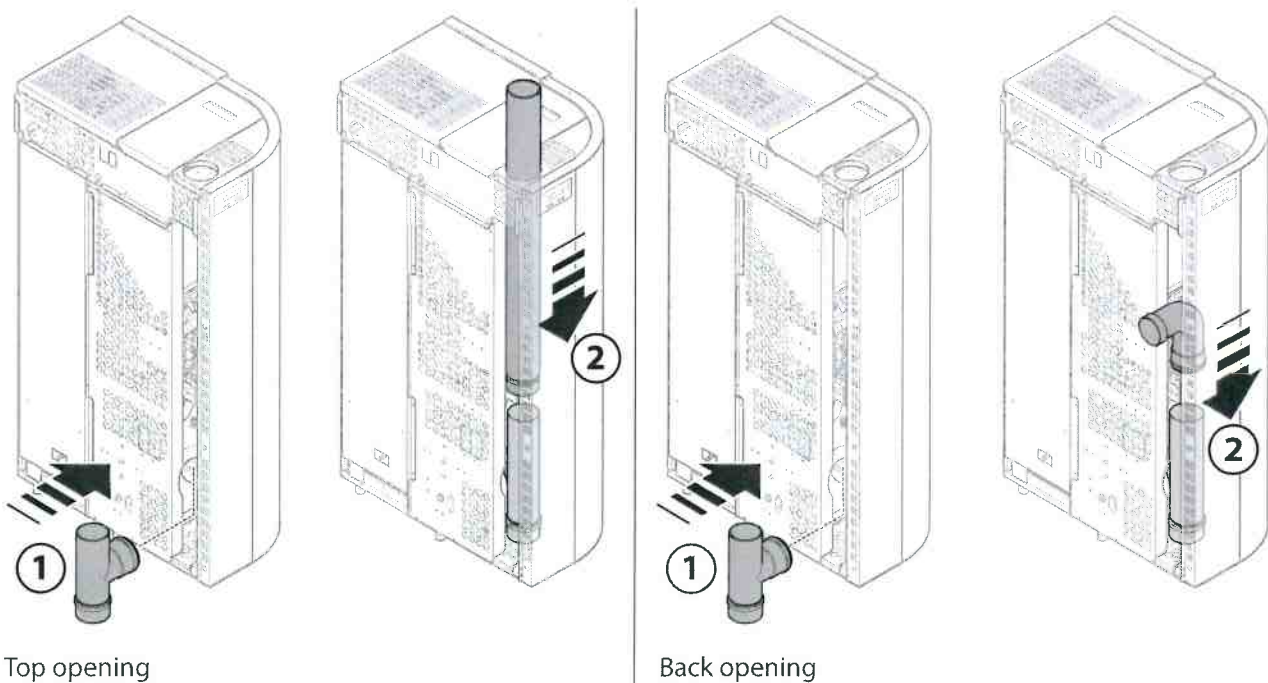
The assembly is shown with one model of stove, the procedure for the other models is the same.



8.8 Connecting the flue pipe: Loren model

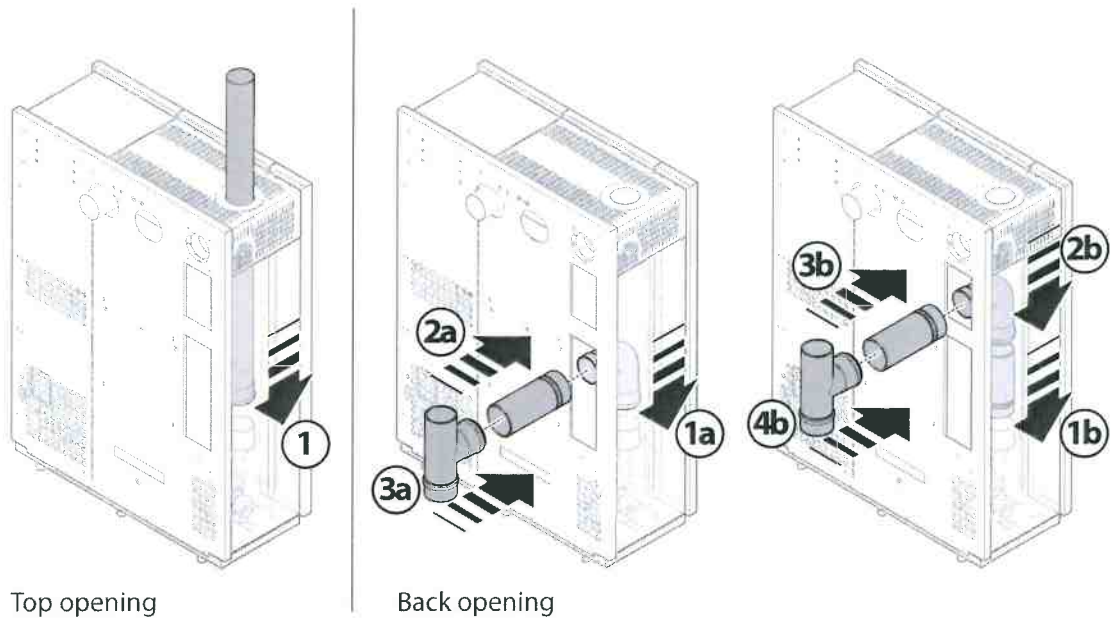
The stove can be connected to the previously installed flue in two ways: via the back opening or the top one.

Please use pipes suitable to discharge pressurized fumes and fitted with seals (UNI EN 1856-1 and 1856-2).



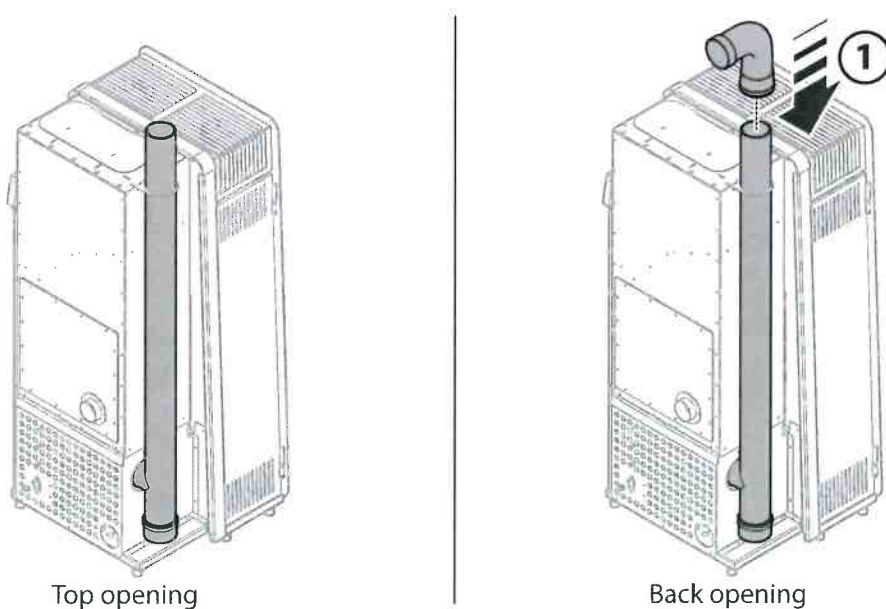
8.9 Connecting the flue pipe: Tesi model

The stove can be connected to the previously installed flue in two ways: via the back opening or the top one. Please use pipes suitable to discharge pressurized fumes and fitted with seals (UNI EN 1856-1 and 1856-2).



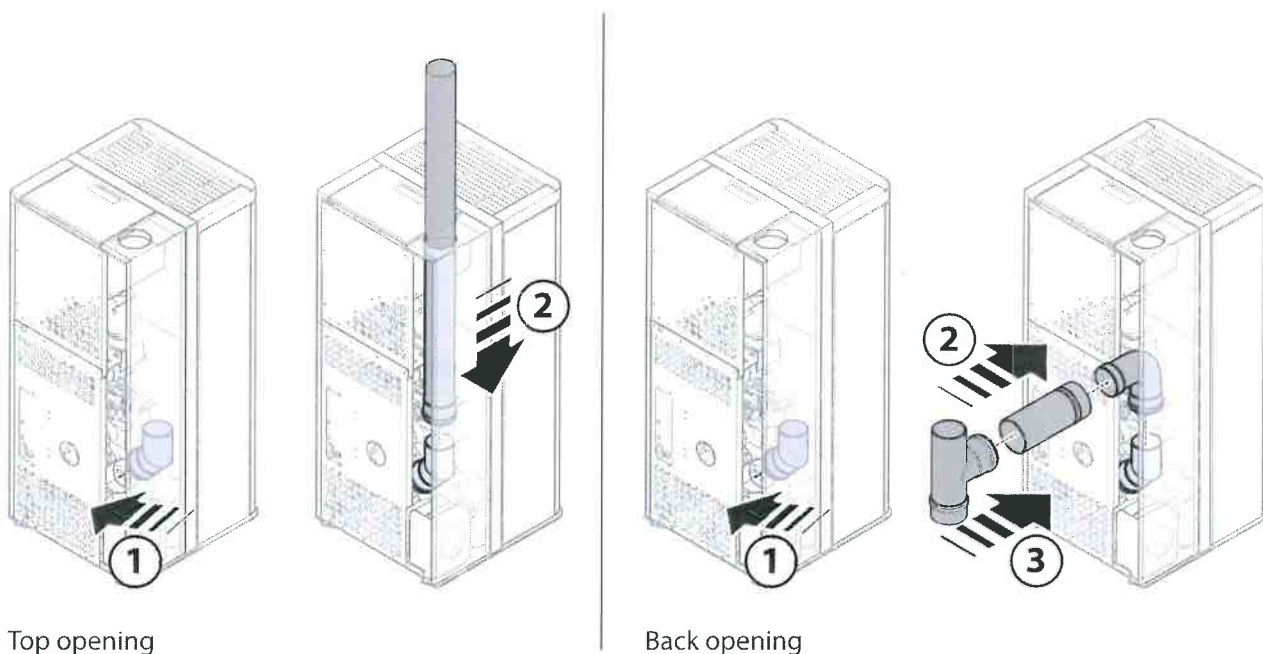
8.10 Connecting the flue pipe: Silenzio, Libera and Maya models

The stove can be connected to the previously installed flue in two ways: via the back opening or the top one. Please use pipes suitable to discharge pressurized fumes and fitted with seals (UNI EN 1856-1 and 1856-2). The assembly is shown with one model of stove, the procedure for the other model is the same.



8.11 Connecting the flue pipe: Scigno, Leire and Andy models

The stove can be connected to the previously installed flue in two ways: via the back opening or the top one. Please use pipes suitable to discharge pressurized fumes and fitted with seals (UNI EN 1856-1 and 1856-2). The assembly is shown with one model of stove, the procedure for the other model is the same.



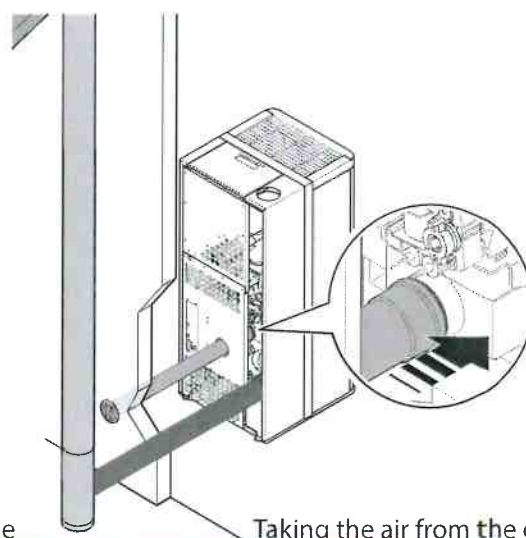
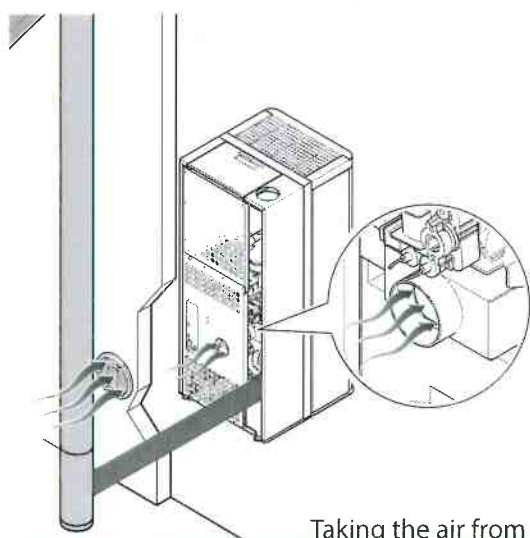
8.12 Combustion air inlet (Silenzio model excluded)

Combustion air can be taken from the room, if sufficiently ventilated, or from the outside, if not: this way optimal combustion is guaranteed, avoiding opening an air intake in the room. In both cases, refer to the regulations about installation in force (UNI 10683 and UNI7129), to avoid health risks for those who spend time in the room where the equipment is installed.

Do not use hoses and install a grille at the start of the air intake (on the outside), to prevent foreign bodies from entering and affecting the correct operation of the unit.



The assembly is shown with one model of stove, the procedure for the other models is the same.

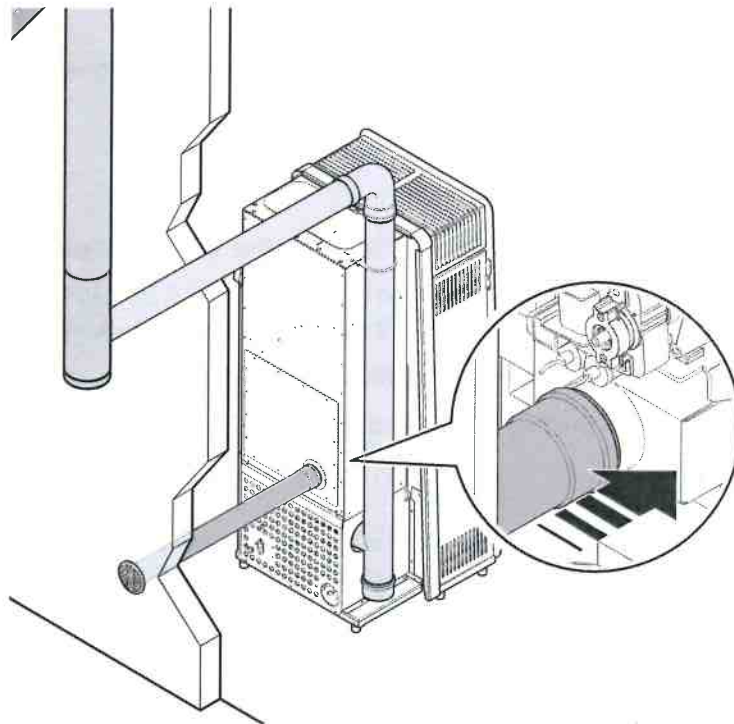


8.13 Combustion air inlet (Silenzio model)



The Silenzio stove is a model certified as an "AIRTIGHT STOVE" in compliance with the EN 16510-1:2013 standard. **As such, the combustion air inlet must be connected to the outside.**

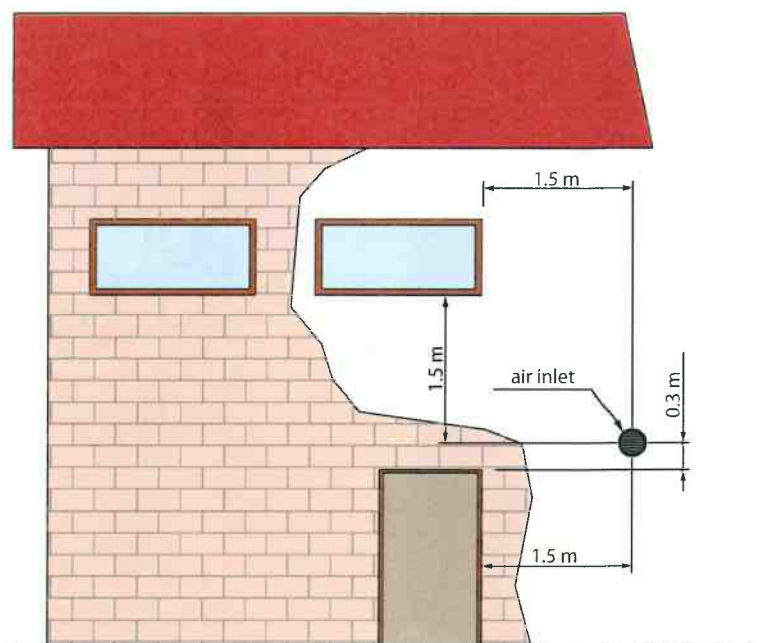
Do not use hoses and install a grille at the start of the air intake (on the outside), to prevent foreign bodies from entering and affecting the correct operation of the unit.



8.14 Minimum distance to position the air inlet

To position the air intake correctly and safely, see the drawing on the side, where the minimum distances from any other opening are shown.

It is important to take into account any wall discharges from other units or cooking extractor hoods.



8.15 Air ducting in the Sintesi 90/120, Trendy 90/120, Thelma&Louise 90/120, Notabene 90/120, Cippatina models



Before starting work on the burner, disconnect the stove from the mains and turn the circuit breaker on the main panel to OFF.



The ducting kit must be installed by qualified engineers.

In the preset models, it is possible to direct hot air to the back of the stove rotating one of the heating fans by 180° and installing the appropriate kit.

To vary the exit direction, follow the operations described below:

- Remove the top decoration ①.
- Remove the right side of the stove ② - ③ unscrewing the respective screws and removing the top decoration.
- Unscrew the two locking screws of the right heating fan ④ - ⑤ rotating it by 180° ⑥ so that the flange holes match the threaded inserts on the support base ⑦. Refit the two screws to block the fan flange ⑧.
- Fix the diverter box ⑨ on the back of the stove at the Ø60mm pre-drilled hole.
- Finally connect the hose ⑩ between the heating fan and the diverter box ⑪ fixing it with the respective clips.

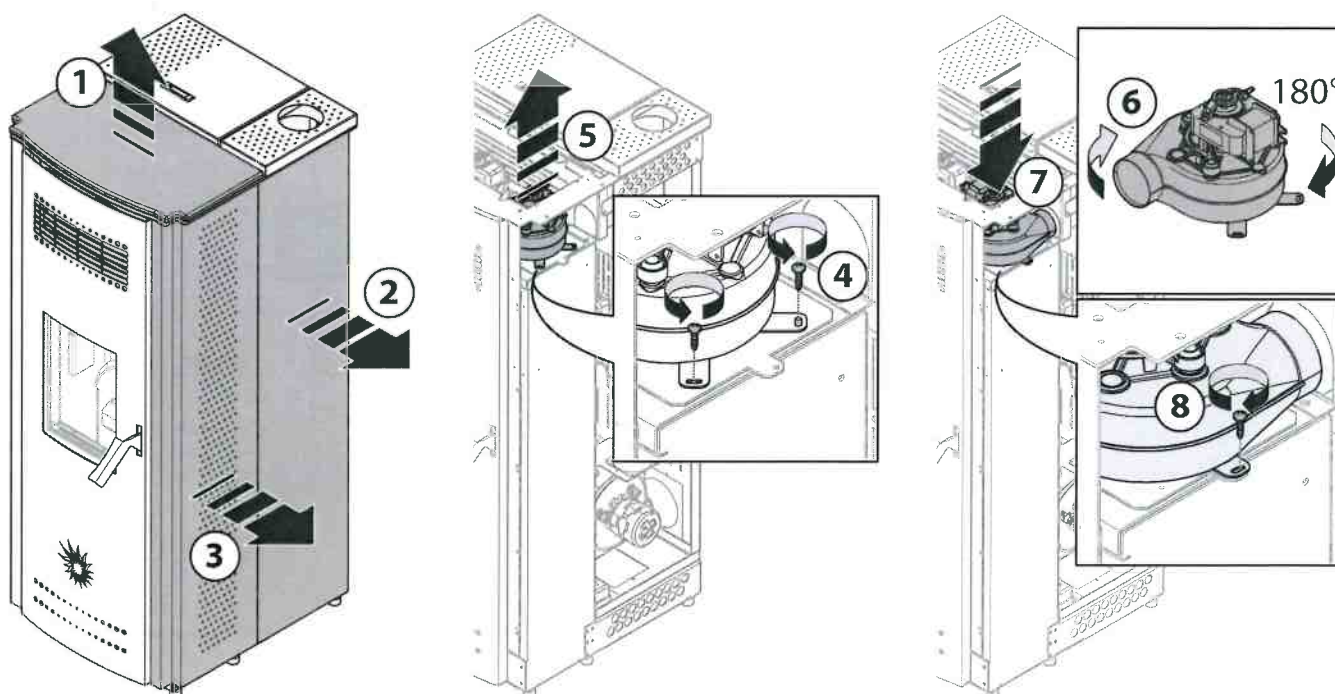


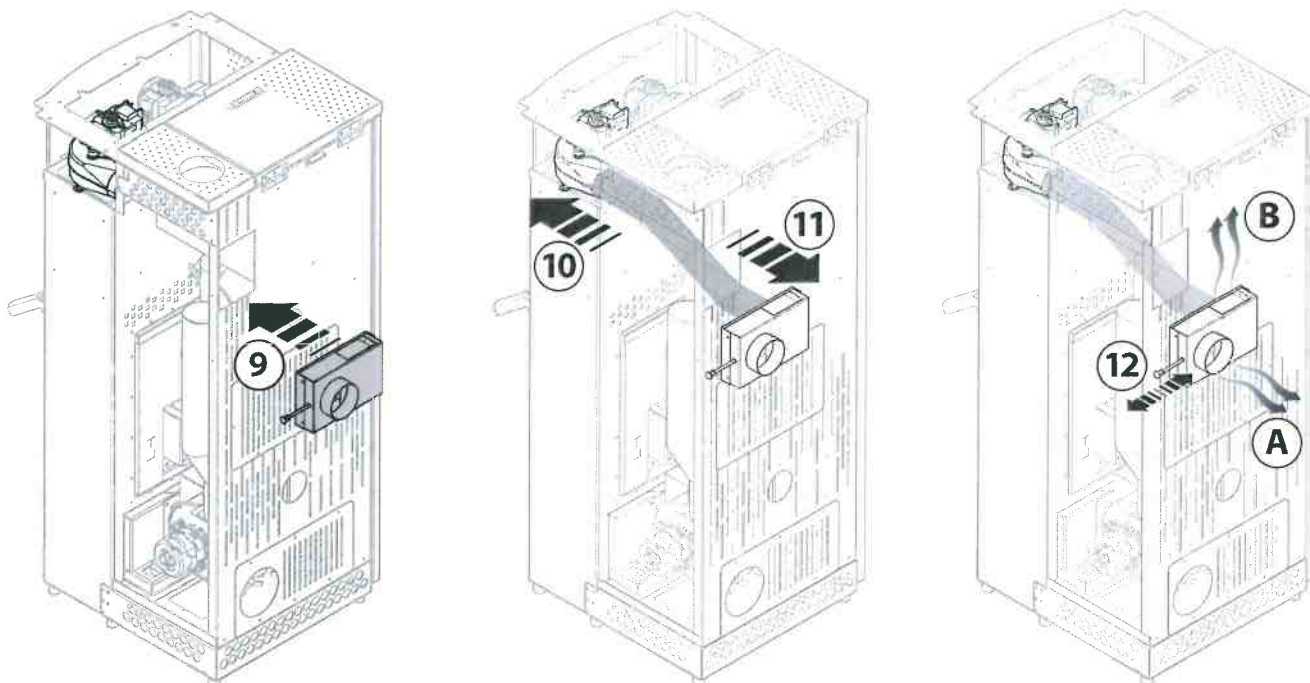
To guarantee the ducting is working, the length of the piping must NOT exceed 6 metres with two 90° elbows and the useful diameter must be between 60 and 80mm. Shorten the linear length by 1m for each further 90° elbow. Moreover the inside of the pipe must be smooth and consisting of a material withstanding at least 130°C.

If flammable walls are crossed, insulate the piping with insulating material with a thickness of at least 4cm.



During the rotation of the heating fan, pay attention not to damage the electrical cable.





Moving the rod ⑫ it is possible to direct the exit of hot air towards the back (A) (ducting) or the top (B) (same room as the stove).

8.16 Air ducting in the Lia, Lia Plus, Carmen and Loren models



Before starting work on the burner, disconnect the stove from the mains and turn the circuit breaker on the main panel to OFF.



The ducting kit must be installed by qualified engineers.

In these models, the hot air can be directed to the back of the stove rotating the heating fan and connecting the appropriate kit. The exit of hot air is from the front as standard.

To vary the exit direction, follow the operations described below:

- Remove the protection plate under the container lid unscrewing the fixing screws ① - ② - ③.
- Unscrew the fixing screws of the heating fan ④ - ⑤ rotating it by 180° ⑥, making the holes on the support base ⑦ match and screw the screws back in to block it ⑧.
- Connect the ducting kit ⑨ to the heating fan with the screws and metal clips supplied.



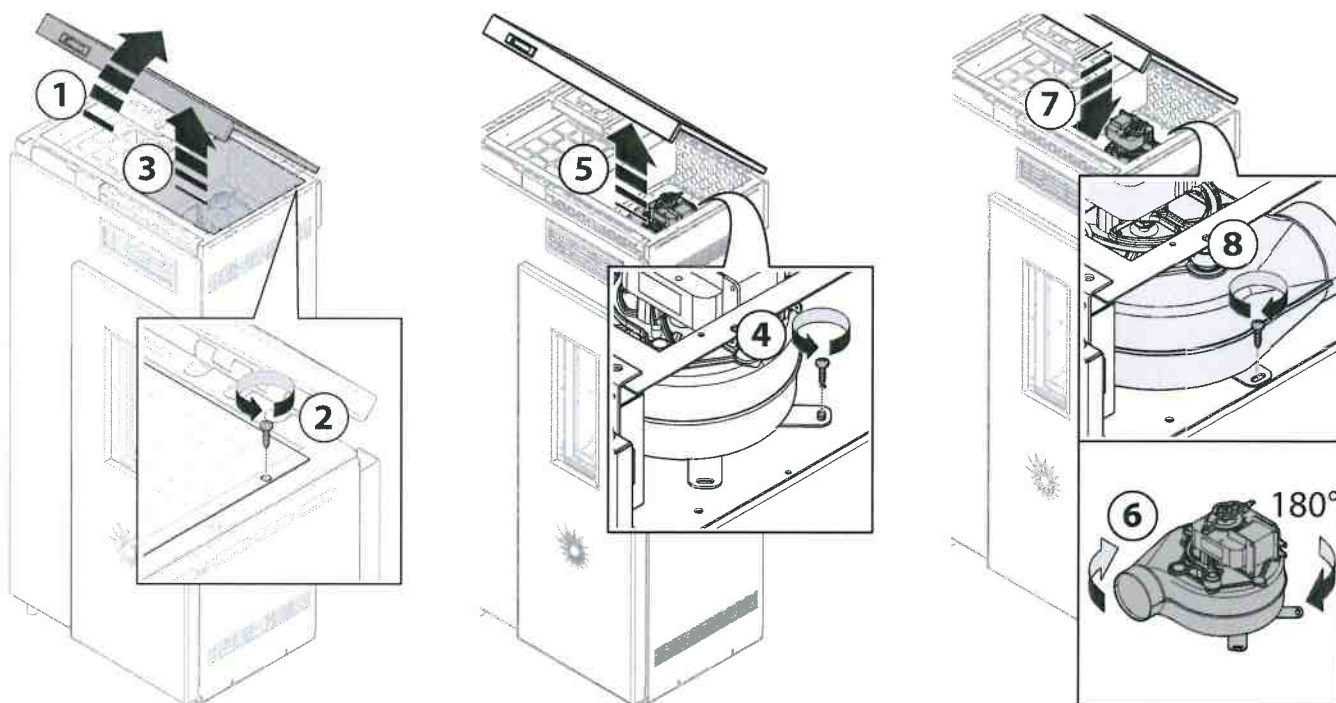
To guarantee the ducting is working, the length of the piping must NOT exceed 6 metres with two 90° elbows and the useful diameter must be between 60 and 80mm. Shorten the linear length by 0.5m for each further 90° elbow. Moreover the inside of the pipe must be smooth and consisting of a material withstanding at least 130°C.

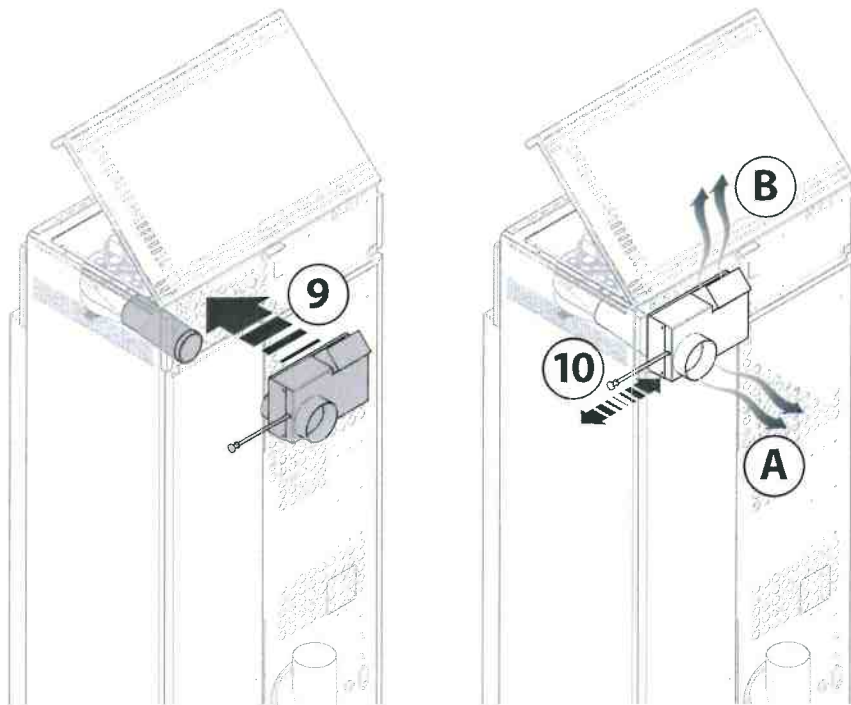
If flammable walls are crossed, insulate the piping with insulating material with a thickness of at least 4cm.

During the rotation of the heating fan, pay attention not to damage the electrical cable.



In the LIA and LIA PLUS models, the hot air can be directed to the RH side of the stove rotating the heating fan by 90°.





Moving the rod (10) it is possible to direct the exit of hot air towards the back (A) (ducting) or the top (B) (same room as the stove).

8.17 Air ducting in the Tesi model



Before starting work on the burner, disconnect the stove from the mains and turn the circuit breaker on the main panel to OFF.

In the TESI model it is possible to direct and channel the hot air in different directions also with the help of some accessories. Removing the top protection (1) - (2) and unscrewing the screws fixing the fans, they can be rotated to the desired position. The exit of hot air is from the front and LH side of the stove as standard.

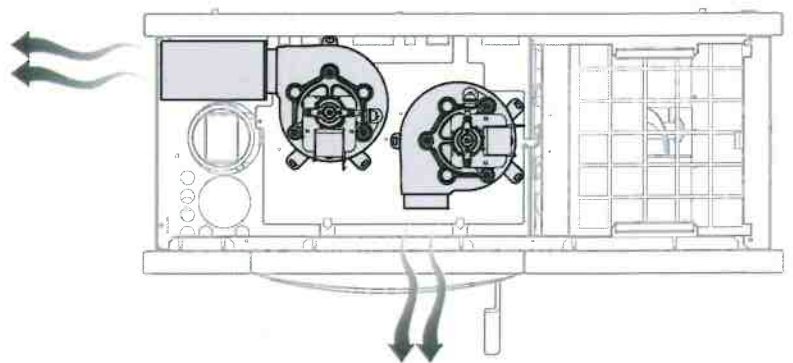
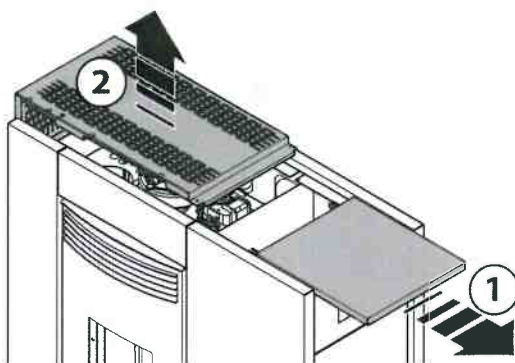


To guarantee the ducting is working, the length of the piping must NOT exceed 6 metres with two 90° elbows and the useful diameter must be between 60 and 80mm. Shorten the linear length by 0.5m for each further 90° elbow. Moreover the inside of the pipe must be smooth and consisting of a material withstanding at least 130°C.

If flammable walls are crossed, insulate the piping with insulating material with a thickness of at least 4cm.



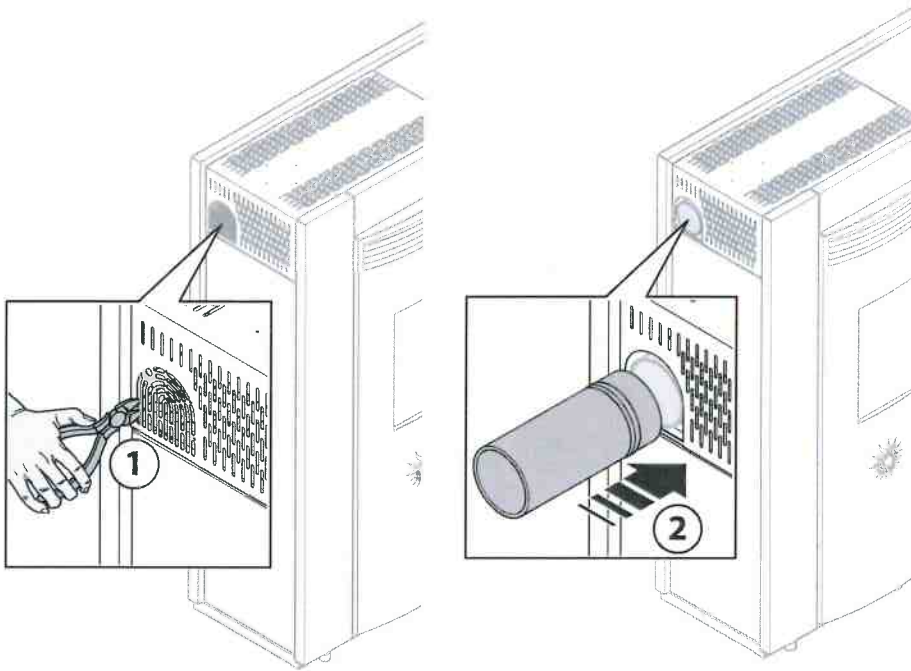
During the rotation of the heating fan, pay attention not to damage the electrical cable.



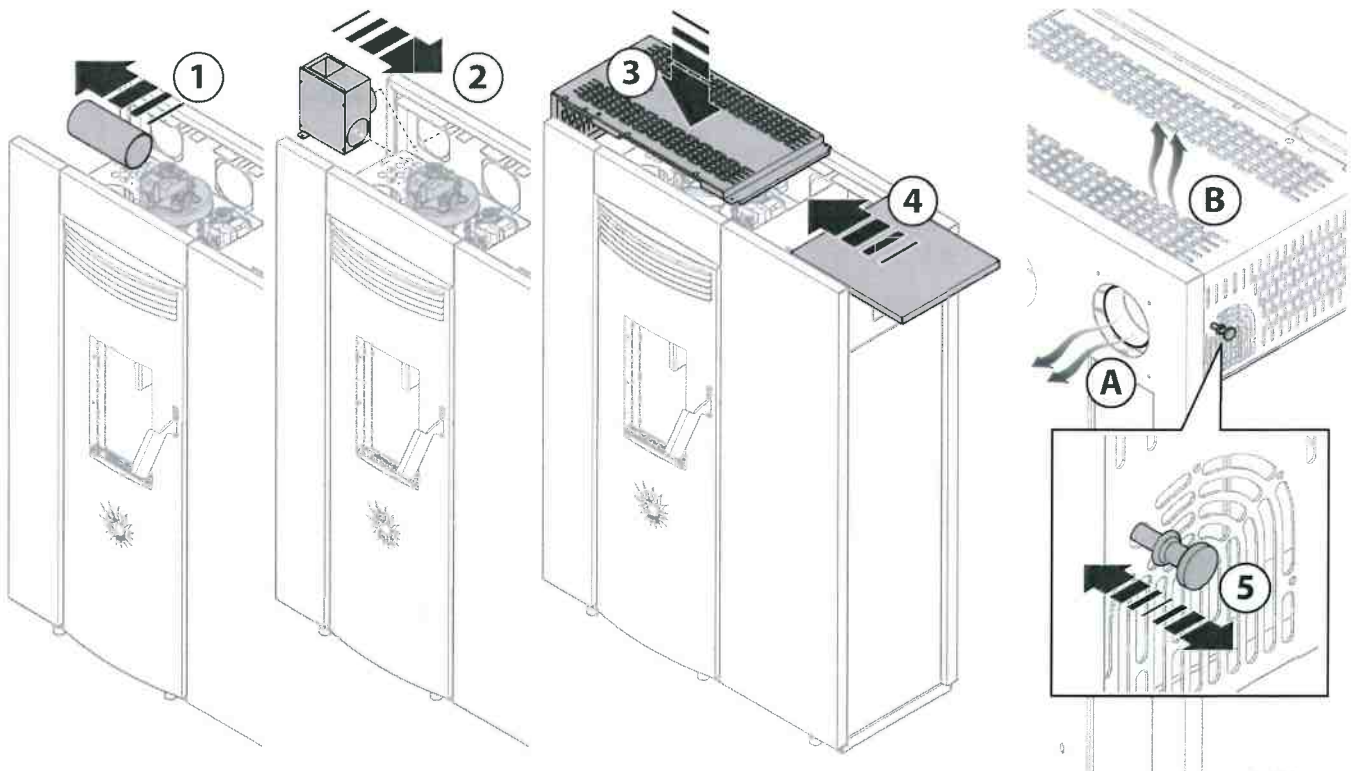
Standard configuration

LH FAN CONFIGURATION

Direct ducting: break the pre-cut ① and connect the pipe to the fan ②.

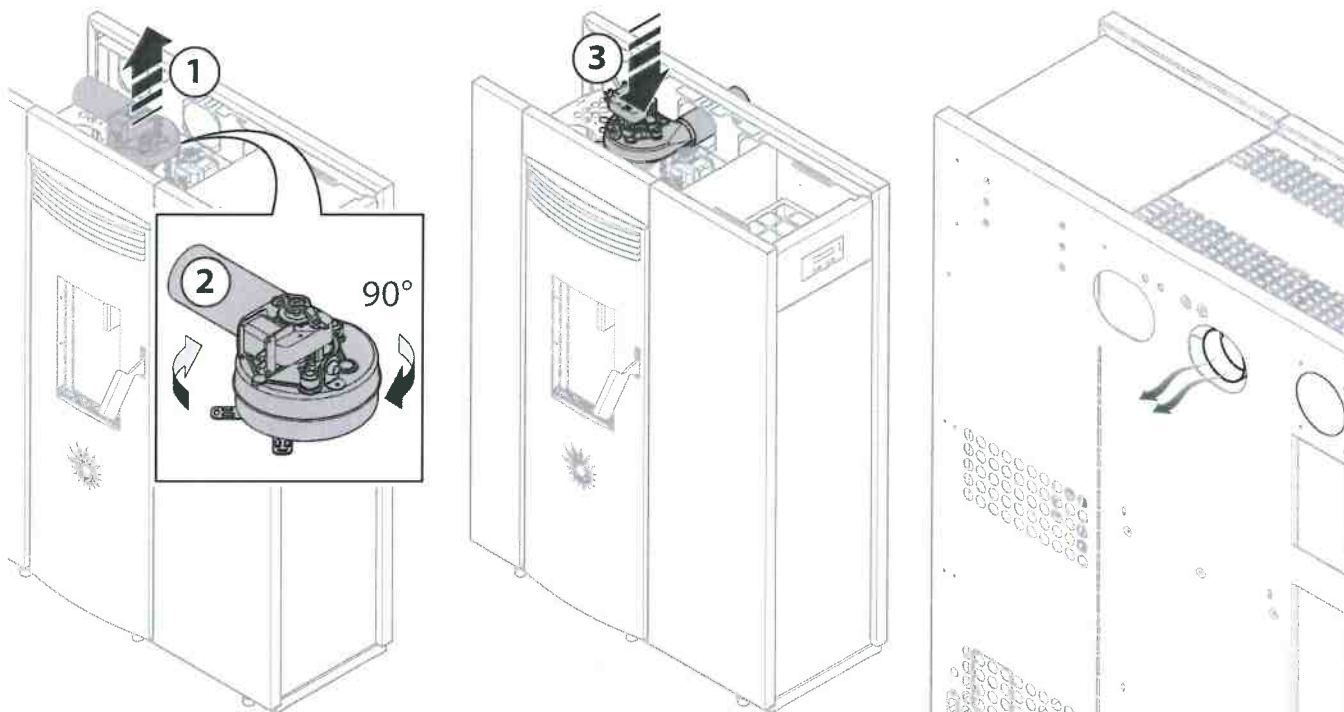


Ducting with gate diverter: remove the pipe ① and install the appropriate accessory (option) onto the fan ②. Close the top protections ③ - ④.



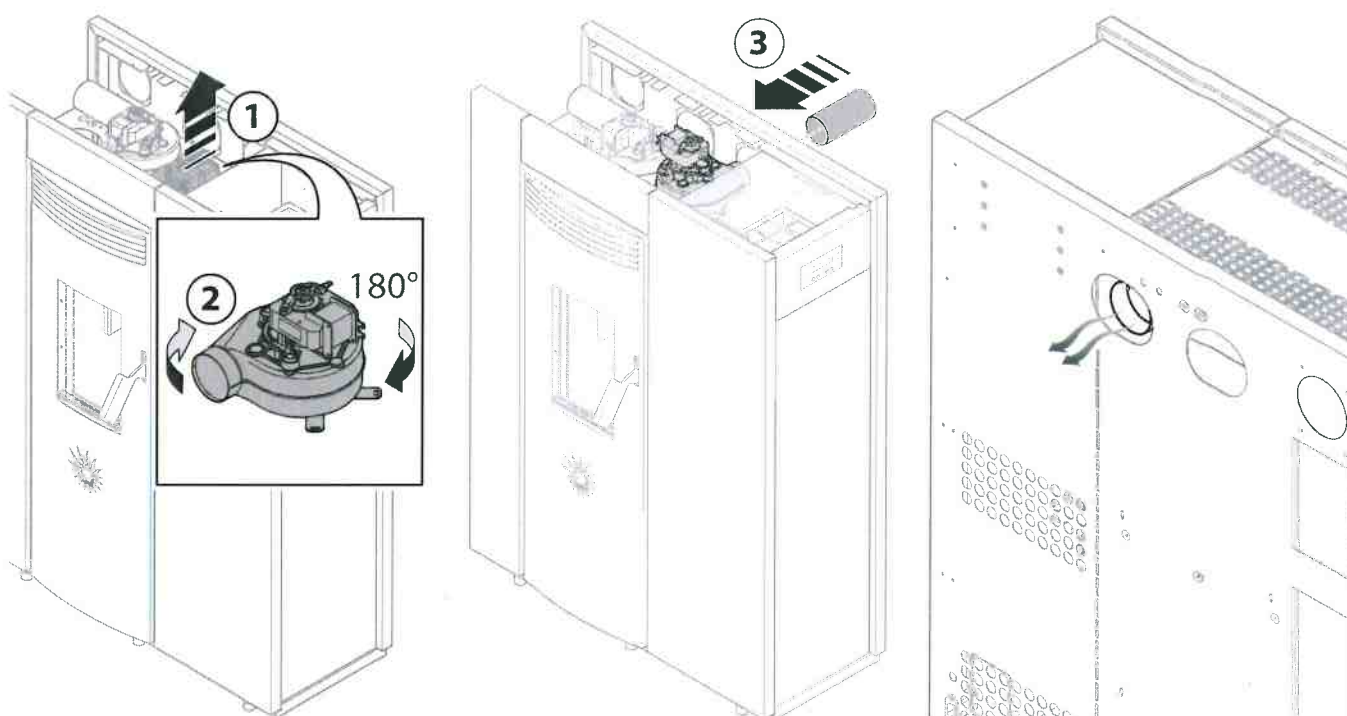
Moving the rod ⑤ it is possible to direct the exit of hot air towards the back (A) (ducting) or the top (B) (same room as the stove).

Ducting towards the back: remove the fan unscrewing the screws ①, rotate it ② and engage the 60-80mm reduction ③ (as standard).

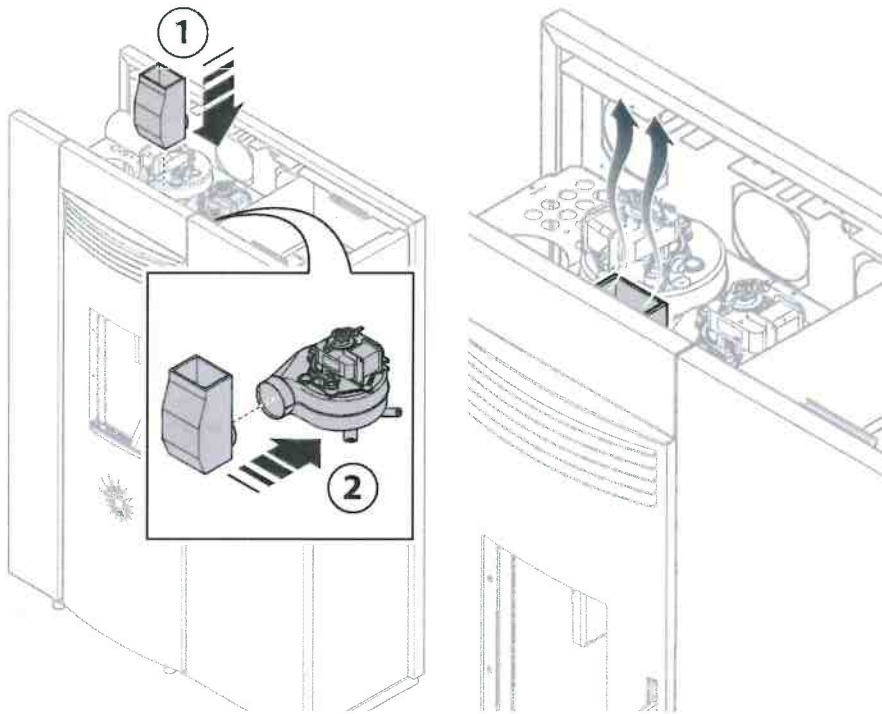


RH FAN CONFIGURATION

Ducting towards the back: remove the fan unscrewing the screws ①, rotate it ② and engage the 60-80mm reduction ③ (option).



Exit of hot air towards the top: install the appropriate accessory (option) onto the RH fan ① - ②.

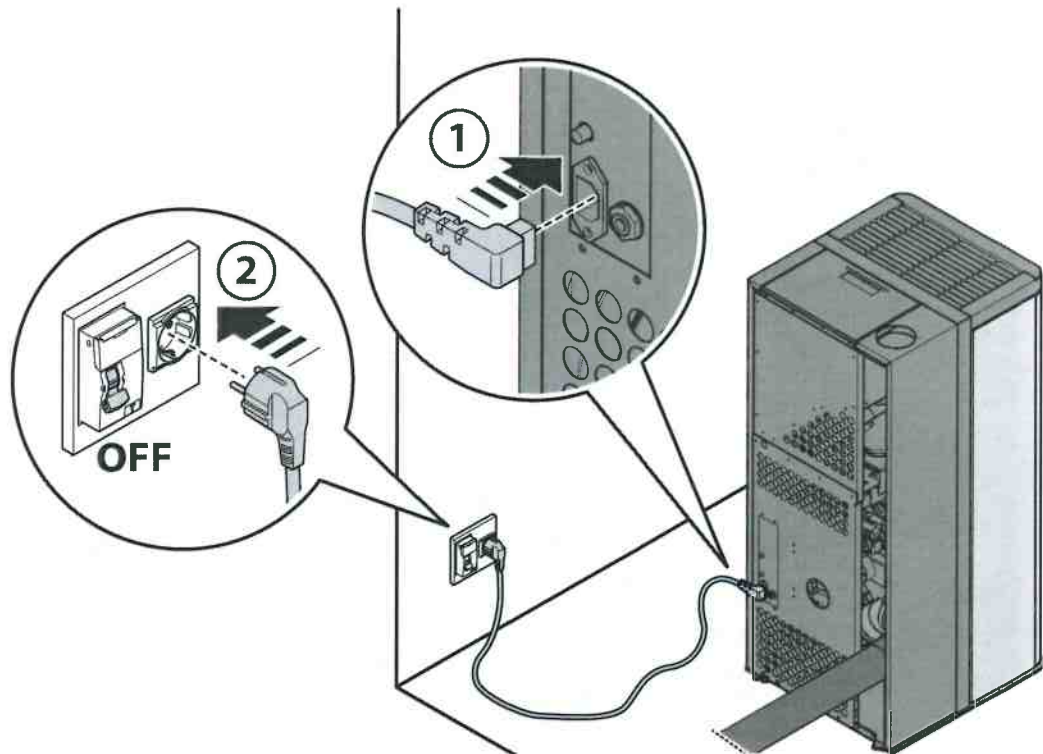


8.18 Electrical connections

On the back of the stove there is a socket for the electrical connection. To get power, just connect the cable supplied to the unit as well as to a wall schuko socket.



Before connecting it, make sure the circuit breaker is OFF.

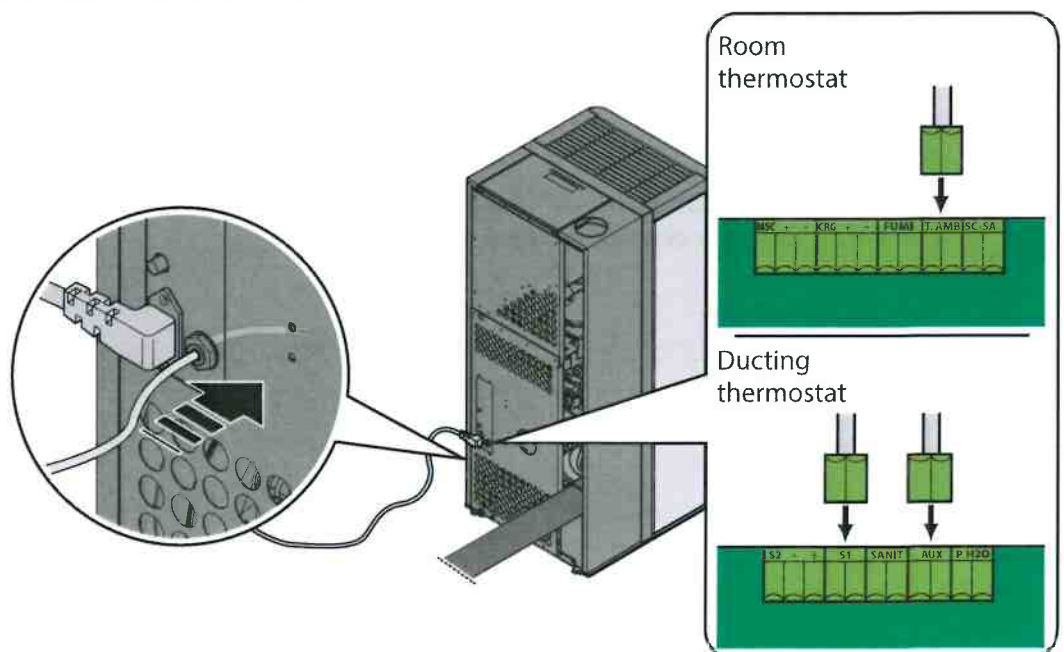


CONNECTION OF THE ROOM THERMOSTAT AND DUCTING THERMOSTAT (OPTIONS)

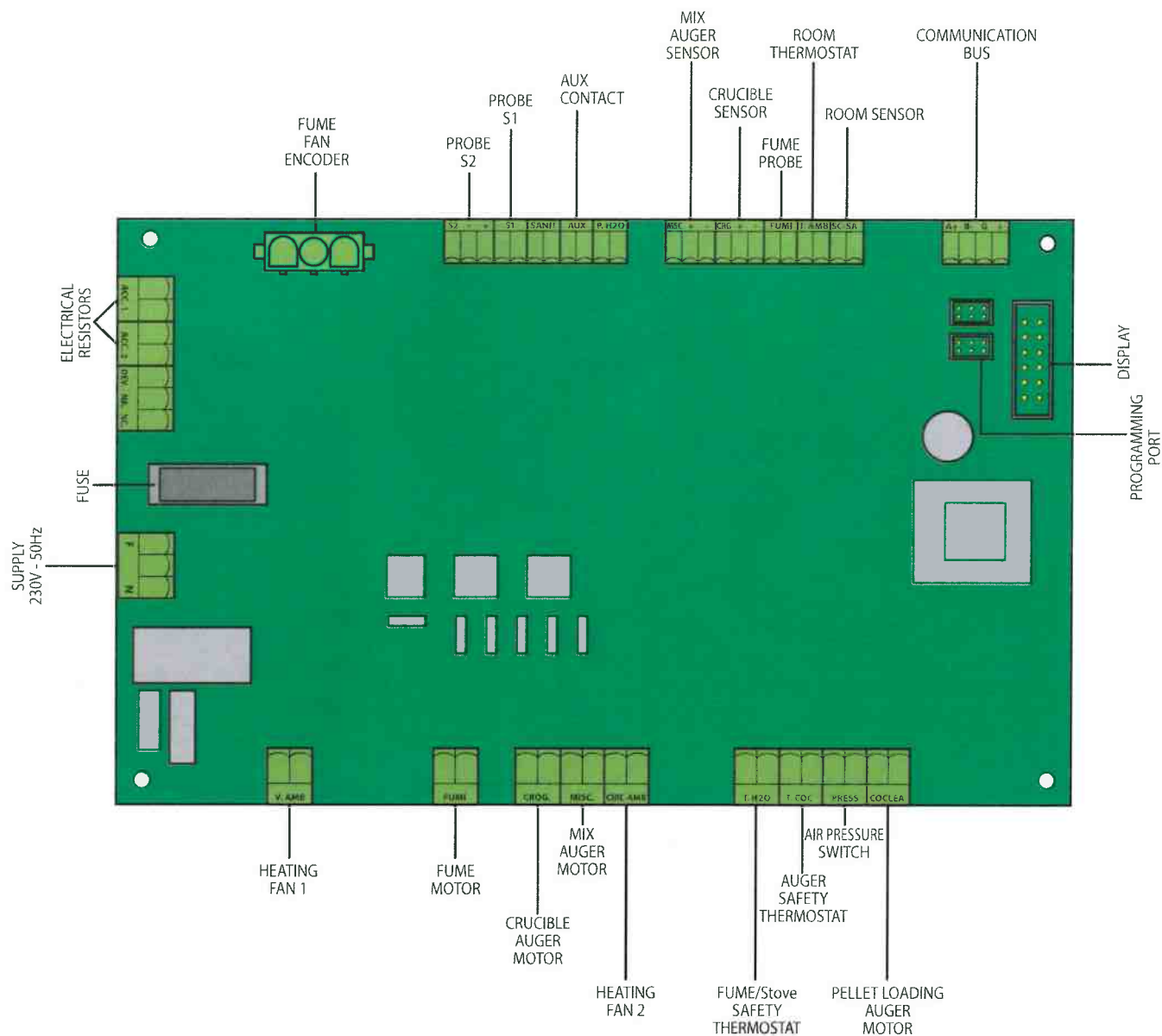
It is possible to connect a room thermostat (option) that detects the temperature in the area where it is installed and that enables and disables the operation of the stove.

The room thermostat must have a minimum activation ΔT of 1°C.

To install the thermostat, use the cable gland on the back of the stove and connect it to the electrical board.



8.19 Electronic board



Take care with the connection of the room thermostat that will need to be with a "clean contact", to avoid damaging the electronic board.

9 - USE

9.1 DISPLAY



DISPLAY KEYPAD DESCRIPTION

Button - switches the stove ON/OFF in manual mode (keep pressed for three seconds), cancels alarms and exits programming

Button SET - changes screen and confirms the set data

Button - used to increase the values to be set

Button - used to decrease the values to be set

MEANING OF THE LED LIGHTS



- The LED lit with "fixed" light shows that, when the set room temperature is reached, the stove is kept ON at minimum power (modulating mode YES).

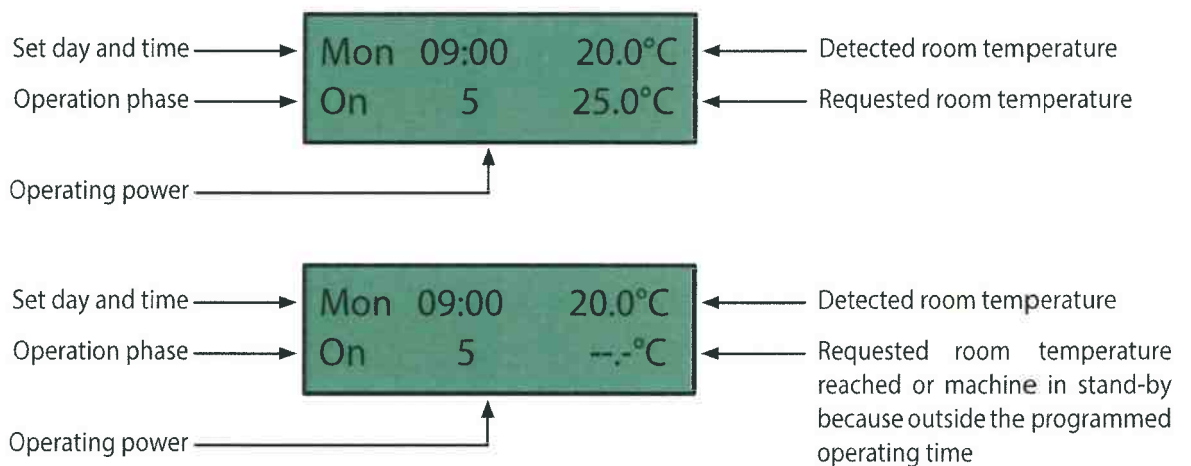
- The "flashing" LED shows that, when the set temperature is reached, the stove switches OFF (modulating mode NO).

- When OFF, the LED shows that the set room temperature has been reached.



- When ON, the LED shows that time programming has been set for automatic operation.

DISPLAY STANDARD SCREEN



9.2 Commissioning

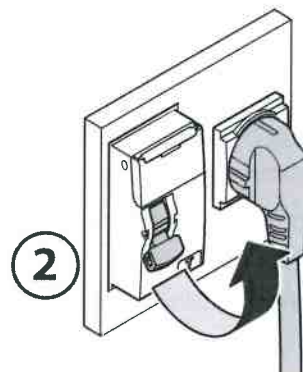


Once the installation has been completed and all the above has been checked, the system can be started for the first time. Only a CSTHERMOS authorized engineer can do this, also informing the customer on the operations to carry out to make the stove work correctly.

1 Fill the stove container with pellets.



2 Turn the thermal circuit breaker ON.



4 Switch the stove ON using the button on the control panel.

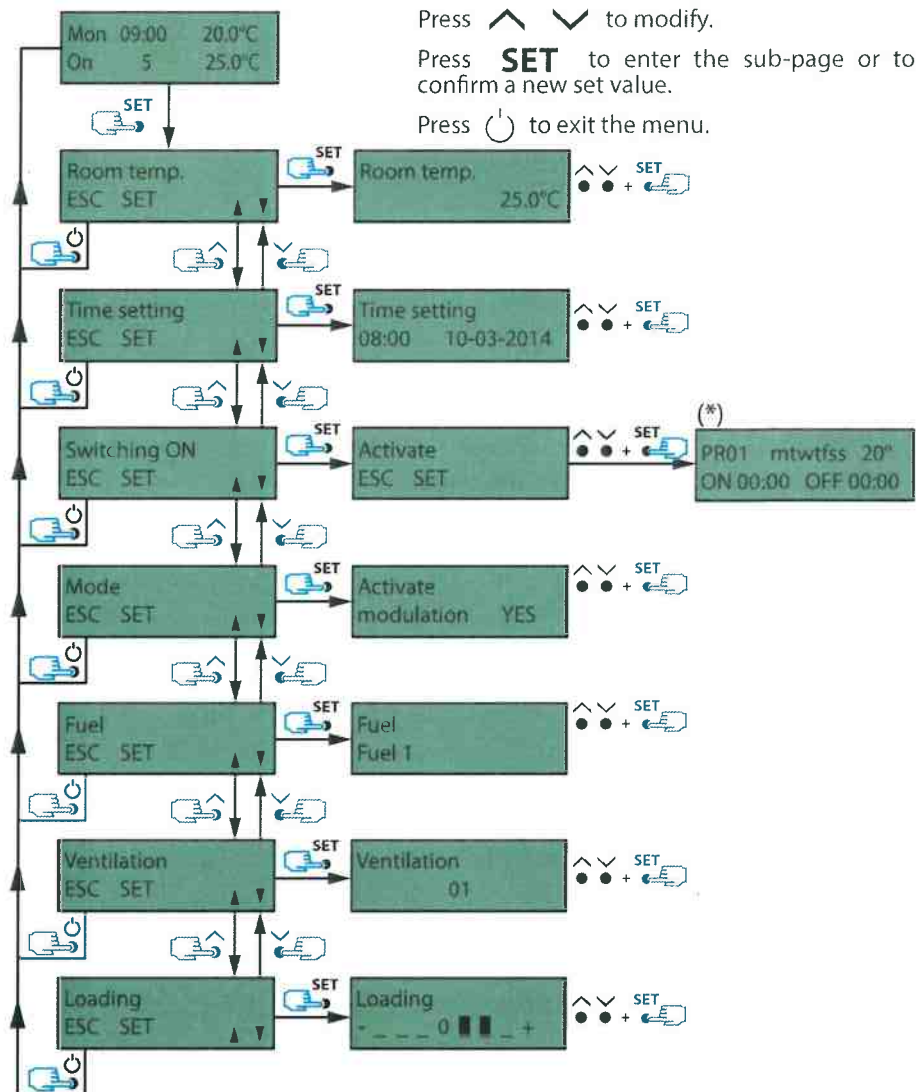


9.3 Programming

MAIN SETTINGS

Press the **SET** key repeatedly to access the desired setting.

- **"Room temp." menu:** the desired room temperature is set for manual operation (no automatic programming).
- **"Time setting" menu:** the current time and date are set.
- **"Ignition" menu:** the times of operation automatic programming and desired room temperature are set (see relative chapter).
- **"Switching" menu:** with modulation ON (as standard), the stove stays ON at minimum power when the desired room temperature is reached. On the other hand, with modulation OFF, the stove switches OFF if the room temperature exceeds the desired temperature by 1°C, and turns itself back ON when the temperature goes below that temperature.
- **"Fuel" menu:** the type of fuel to use for the stove operation is selected (see relative chapter). It is important to make sure that the same type of fuel has been added into the container.
- **"Ventilation" menu:** during operation, this setting allows increasing the speed of the heating air in relation to the power of the flame.
- **"Loading" menu:** allows changing the quantity of fuel falling and is divided into 3 increasing levels (+) and 3 decreasing levels (-), each equal to 0.2 seconds for a total of +/- 0.6 seconds. This variation remains in the memory all the time and is associated to all six operating powers at the same time.

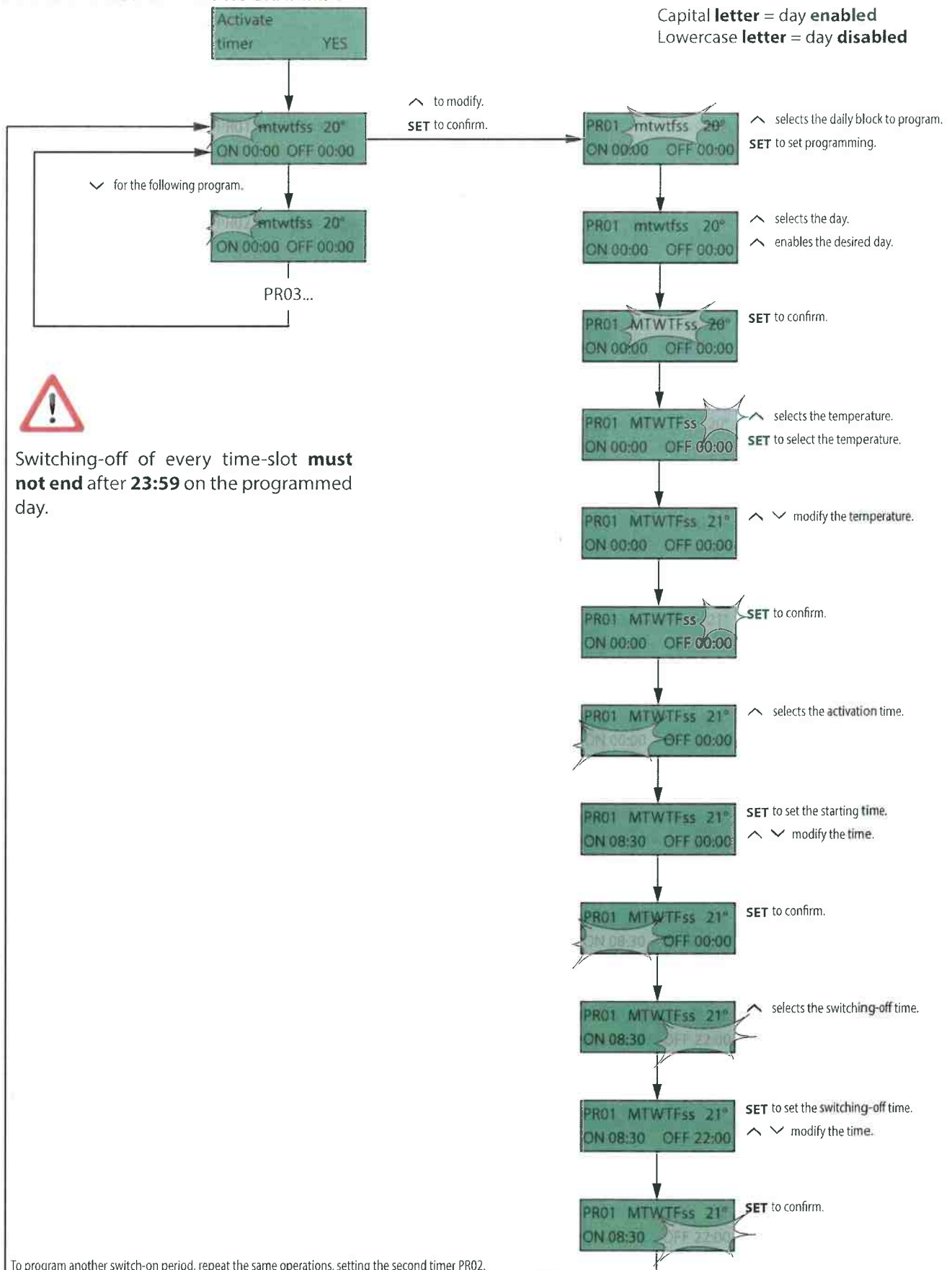


Before selecting on the display the type of fuel to use, ensure you have put the same type of fuel in the container, in case refer to paragraph 6 on fuels.

(*) The detailed description for programming switch-ons is in the following chapter.

AUTOMATIC SWITCH-ON PROGRAMMING

Capital **letter** = day **enabled**
Lowercase **letter** = day **disabled**



9.4 Operation phases

DISPLAY MESSAGE	MEANING
Cleaning	Pre-ventilation phase and check of safety devices with crucible cleaning before fuel loading.
Loading	Switching-on phase with fuel loading into the burner and simultaneous power ON to resistors.
Pause	Flame wait pause
Flame wait	Waiting phase within which time ignition must take place
Flame stabil.	Stabilisation phase after flame ignition with fuel intermediate loading.
ON	Burner normal operation phase with power variation from 1 to 6.
Switching-off	Timed switching-off phase associated to fuel interruption with crucible cleaning and waiting for the flame to go off totally.
OFF	OFF state until heat is requested again.
Stand by	Switching-off due to the heating temperature being reached.



In case of an alarm, it is necessary to wait for the end of the switching-off phase.



**Never disconnect the electrical plug during operation or while the stove is switching off.
Unplug the plug only when the display shows the message "OFF".**

9.5 Alarm code list



For your safety, do not tamper with or modify any component of the equipment: the manufacturer does not guarantee its correct operation, which can be very dangerous. In case of malfunction, problems or if a safety device is triggered, please call authorized personnel. Anyway, all operations must be carried out with the burner off and cooled down and with the power disconnected.

No.	DISPLAY	MEANING
10	fume motor	Fume motor not working: call for an authorized engineer
11	mixing auger	The mixing auger of the burner is not turning: check for any obstructions in the fuel pipe or call for an authorized engineer
12	crucible	The burner crucible does not rotate: clean the burner and restart or call for an authorized engineer
20	1 res. start. KO	One of the heating elements is not working: call for an authorized engineer
21	2 res. start. KO	Both heating elements are not working: call for an authorized engineer
22	res. fault	The heating elements are always powered: call for an authorized engineer
30	fume probe	Fume temperature probe interrupted or not connected: call for an authorized engineer
31	room sensor	Temperature probe interrupted or not connected: call for an authorized engineer.
40	auger sensor	Fuel auger safety thermostat triggered: clean the stove interior, reset the thermostat and restart the stove.
42	boiler sensor	Fume discharge safety thermostat triggered: clean the stove interior, reset the thermostat and restart the stove.
50	pressure switch	Air pressure switch not working: call for an authorized engineer
60	black out	No power: clean the burner and restart it
61	Network frequency	Electric voltage frequency incorrect: call for an authorized engineer
62	Communication Err.	Internal error of the electronic board: call for an authorized engineer
63	Short circuit err.	Internal error of the electronic board: call for an authorized engineer
70	failed ign.	Failed ignition: clean the burner and restart it
71	flame OFF	The flame went OFF during operation: clean the burner and restart
72	fume overheating	Combustion fume overheating: clean every part of the stove and restart
73	continuous loading	Pellet loading motor operation fault: call for an authorized engineer
100	system cycle	Internal error of the electronic board: switch off and restart the stove
101	service	Stove maintenance warning: call for an authorized engineer



To reset the stove operation, keep button  pressed for 5 seconds.

10 - CLEANING



During maintenance, use personal protection equipment all the time (e.g. gloves).

For the stove to work perfectly, we recommend it undergoes thorough cleaning at least once a week when using wood pellets.

If biomass is used (olive pits, shells, agripellets), cleaning must be carried out between 1 and 3 days according to the quantity of residue left in the burner.



The Manufacturer accepts no responsibility for the use of FUELS OTHER THAN AS STATED or the possible malfunction of the unit.

10.1 Cleaning the outside

To clean the outside, use:

- soft cloths
- neutral products, suitable for painted or plastic surfaces.

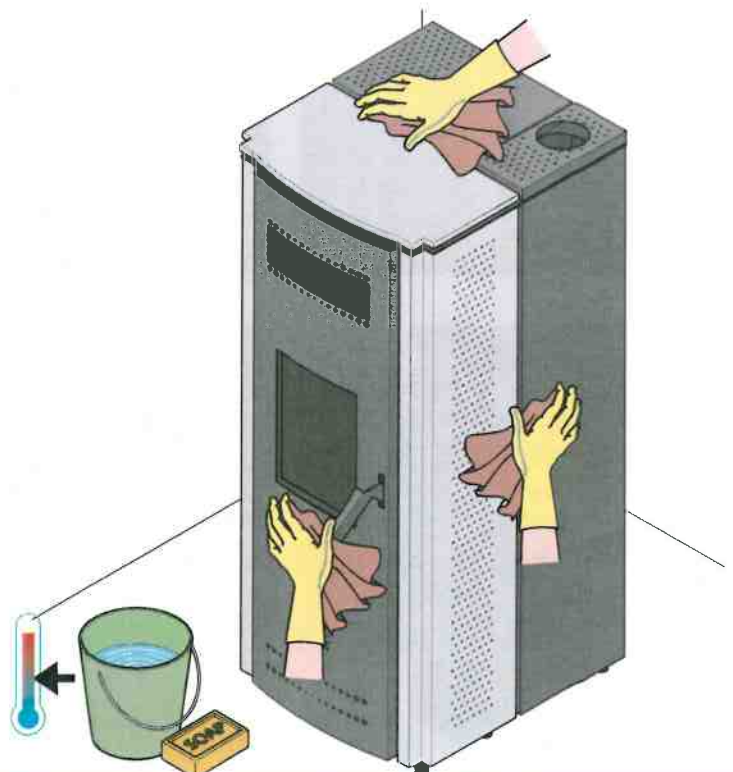
Follow the instructions for use stated on the product label.

To clean the decorative stone parts, use suitable dedicated detergents, following the instructions for use on the product label.

Always finish by drying it perfectly, possibly with a soft dry cloth.

Do not use:

- powder or abrasive detergents;
- aggressive or corrosive detergents (e.g. hydrochloric/muriatic/sulphuric acid). Warning! Do not use these substances even to clean the floor around the equipment;
- sharp or abrasive tools (e.g. abrasive sponges, scrapers, steel brushes, etc.)
- water jets.



10.2 Cleaning the biomass and pellet burner



Before starting any operation on the burner, wait for it to cool down (about 3 hours).



Clean the burner every 1 to 7 days according to the type of fuel used.



Before starting work on the burner, disconnect the stove from the mains and turn the circuit breaker on the main panel to OFF.



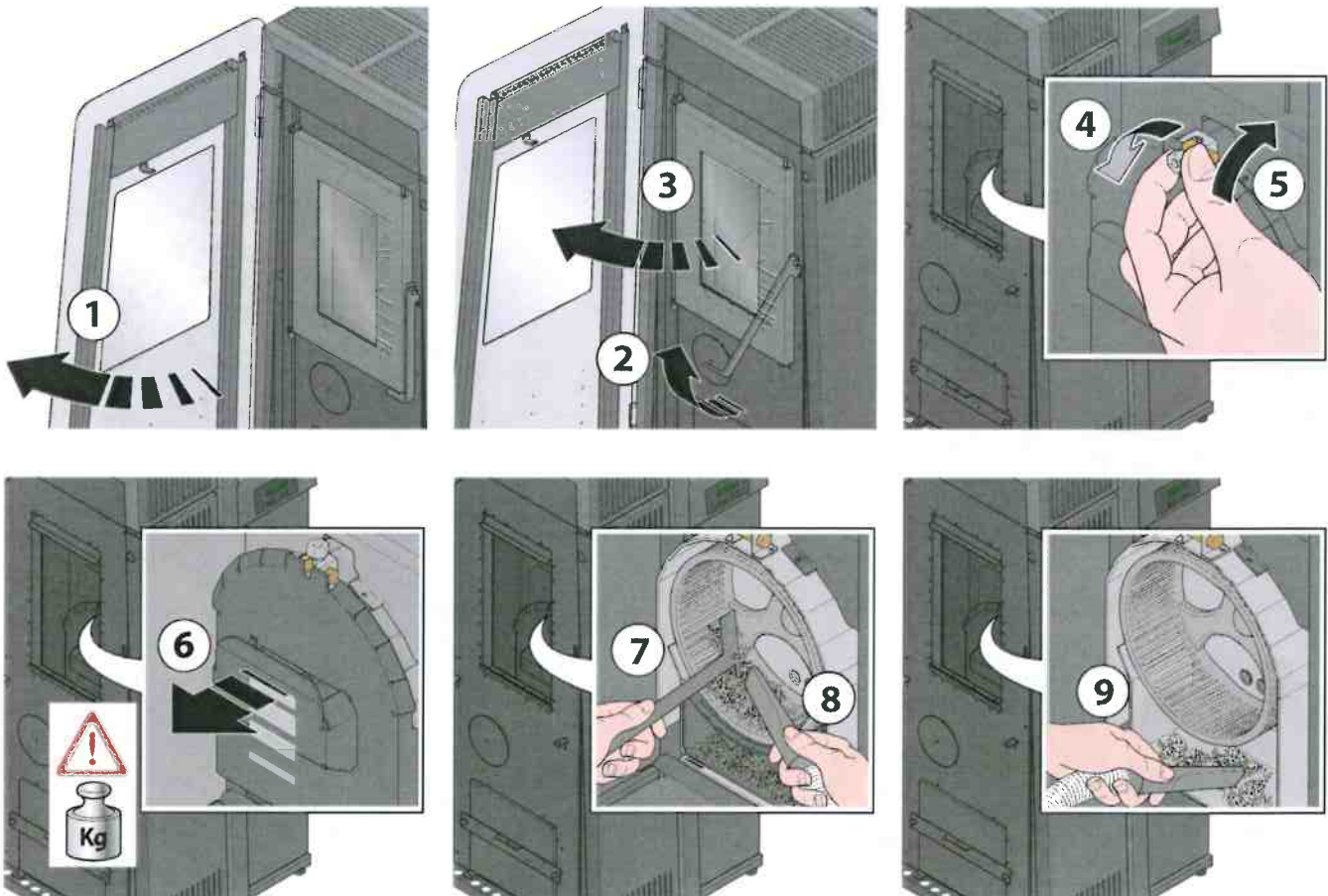
If the burner block or ash collection drawer are opened before they cool down, there might be a risk of burns.

To clean the burner, use:

- steel brush
- ash aspirator
- scraper (to remove the more obstinate residue)

Do not use:

- aggressive or corrosive detergents (e.g. hydrochloric/muriatic/sulphuric acid).
- water jets.



Unburnt residue inside the crucible (7), can be aspirated but can also be made to fall on the bottom with a scraper (8), where it will then go into the ash collection drawer. Once cleaning is complete, the burner lid can be refitted and closed, carrying out the same operations in reverse order.

After every cleaning, check the wear of the hearth door seal.

Check every time that the holes on the burner basket are totally clear from any combustion residue, this to make sure there is always sufficient air to cool the system down and for correct combustion.

10.3 Cleaning the Andy model pellet burner



Before starting any operation on the burner, wait for it to cool down (about 3 hours).



Clean the burner at least once a week.



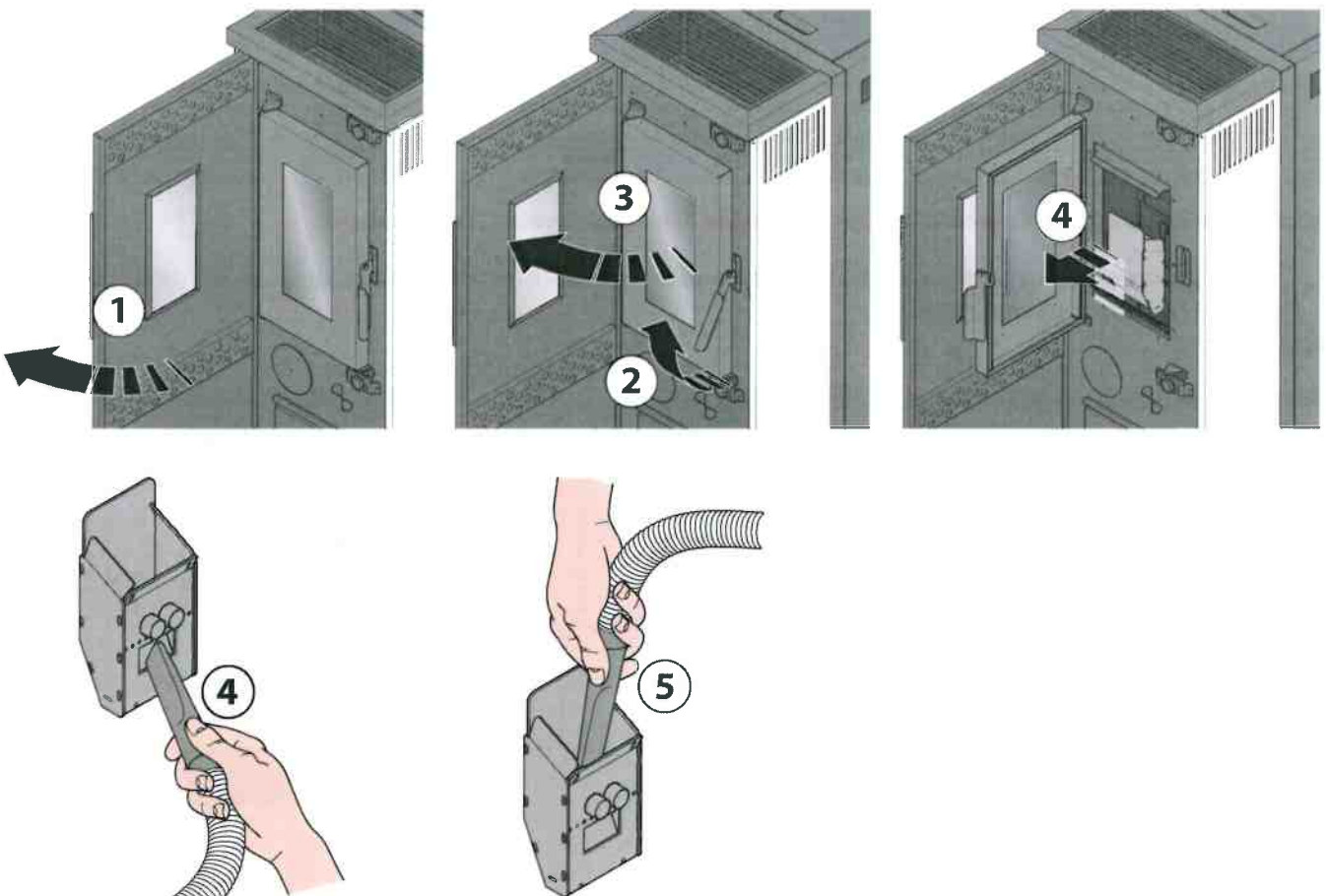
Before starting work on the burner, disconnect the stove from the mains and turn the circuit breaker on the main panel to OFF.



If the burner block or ash collection drawer are opened before they cool down, there might be a risk of burns.

To clean the burner use an ash aspirator

Do not use: aggressive or corrosive detergents (e.g. hydrochloric/muriatic/sulphuric acid) or water jets.



10.4 Cleaning the combustion chamber for the Sintesi 90/120, Trendy 90/120, Thelma&Louise 90/120, Notabene 90/120, Cippatina, Tesi models

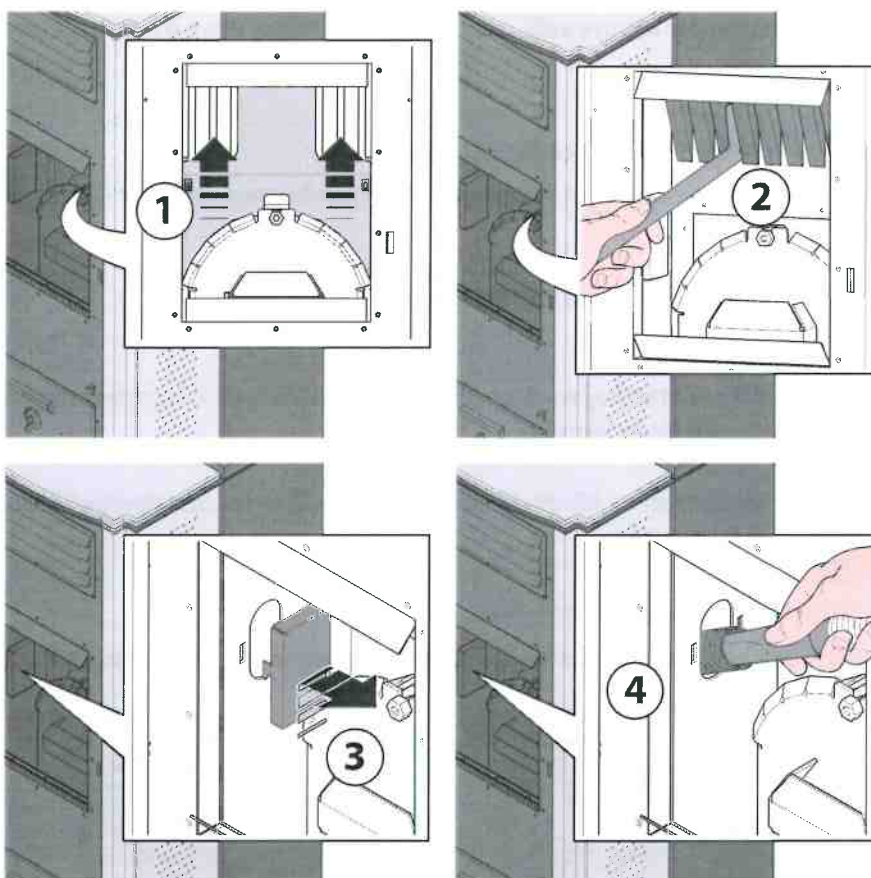


Before starting work on the burner, disconnect the stove from the mains and turn the circuit breaker on the main panel to OFF.

Carry out the following operations at least once a week:

- Remove the smoke baffle located over the burner, lifting it until the two supports disengage.
- Using the appropriate tool, clean all the gaps between the pipes of the heat exchanger, to eliminate all ash residue.
- Remove the inspection plugs located on the burner sides, lifting them and taking them out. Using the vacuum cleaner, suck up all the ash inside the gap.
- Clean the ash drawer as shown in the relative paragraph.

When cleaning is completed, refit all the previously removed components correctly.



10.5 Cleaning the combustion chamber for the Lia, Lia Plus, Carmen, Loren models

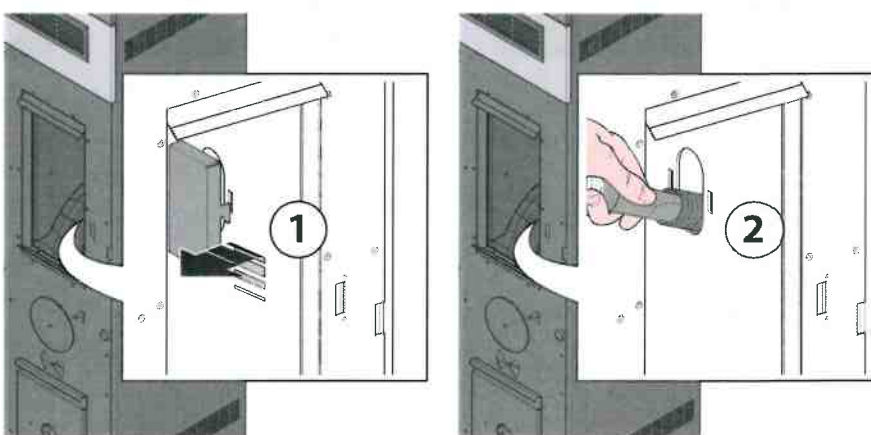


Before starting work on the burner, disconnect the stove from the mains and turn the circuit breaker on the main panel to OFF.

Remove the inspection plug located on the side of the burner at least once a week, lifting it to take it out, as well as the ash drawer. Suck up all the combustion residue inside the gaps using the vacuum cleaner.

Clean the ash drawer as shown in the relative paragraph.

When completed, refit the previously removed pieces, paying attention to close the ash drawer correctly.



10.6 Cleaning the combustion chamber for the Silenzio, Libera and Maya models



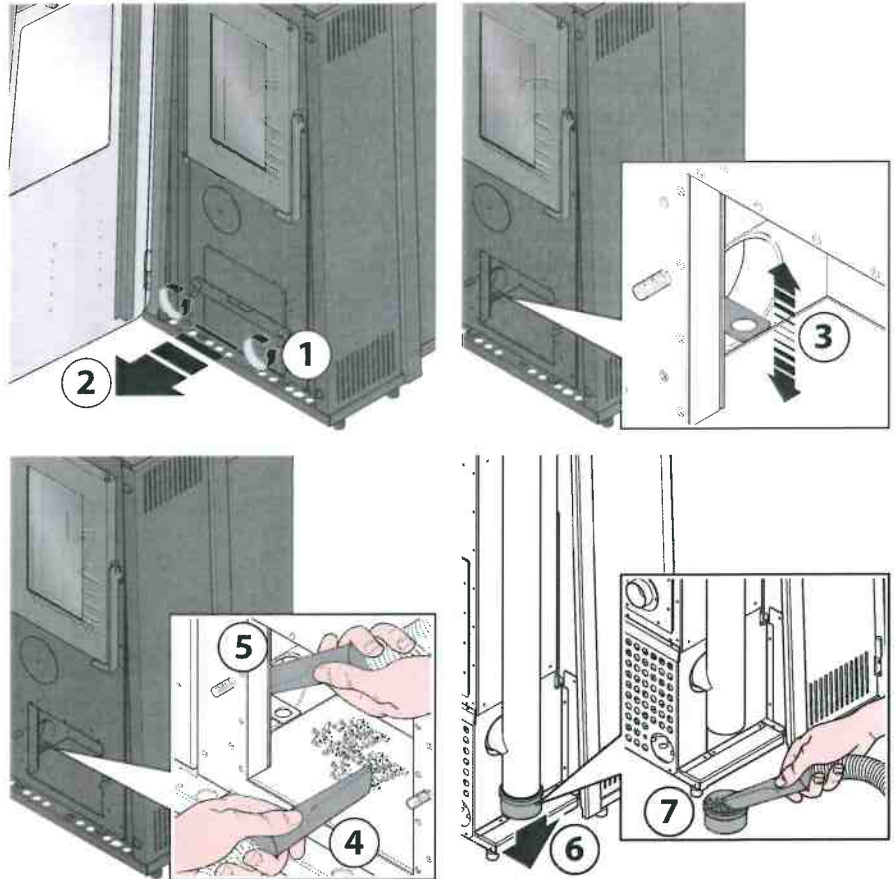
Before starting work on the burner, disconnect the stove from the mains and turn the circuit breaker on the main panel to OFF.

Clean the combustion chamber at least once a week as described below:

- Remove the ash drawer and repeatedly move from the bottom upwards for some cycles the two scrapers on the sides of the boiler.
- Suck up all the combustion residue inside the gaps and on the bottom of the boiler, using the vacuum cleaner.
- Clean the ash drawer as shown in the relative paragraph.

At least once a month, remove and clean the ash collection plug at the base of the smoke discharge pipe.

When cleaning is completed, refit all the previously removed components correctly.



10.7 Cleaning the combustion chamber for the Scigno, Leire and Andy models



Before starting work on the burner, disconnect the stove from the mains and turn the circuit breaker on the main panel to OFF.

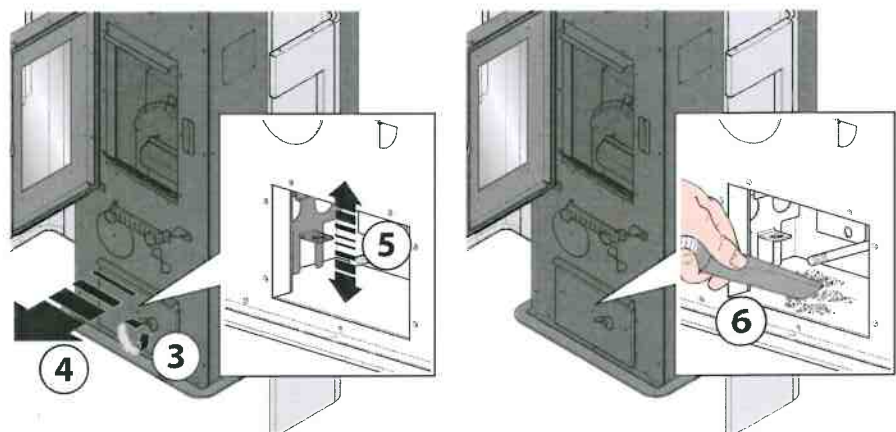
Clean the combustion chamber at least once a week as described below:

Remove the ash drawer and repeatedly move from the bottom upwards for some cycles the two scrapers on the sides of the boiler.

Suck up all the combustion residue inside the gaps and on the bottom of the boiler, using the vacuum cleaner.

Clean the ash drawer as shown in the relative paragraph.

When completed, refit the previously removed pieces, paying attention to close the ash drawer correctly.



10.8 Cleaning the combustion chamber for the Tesi model

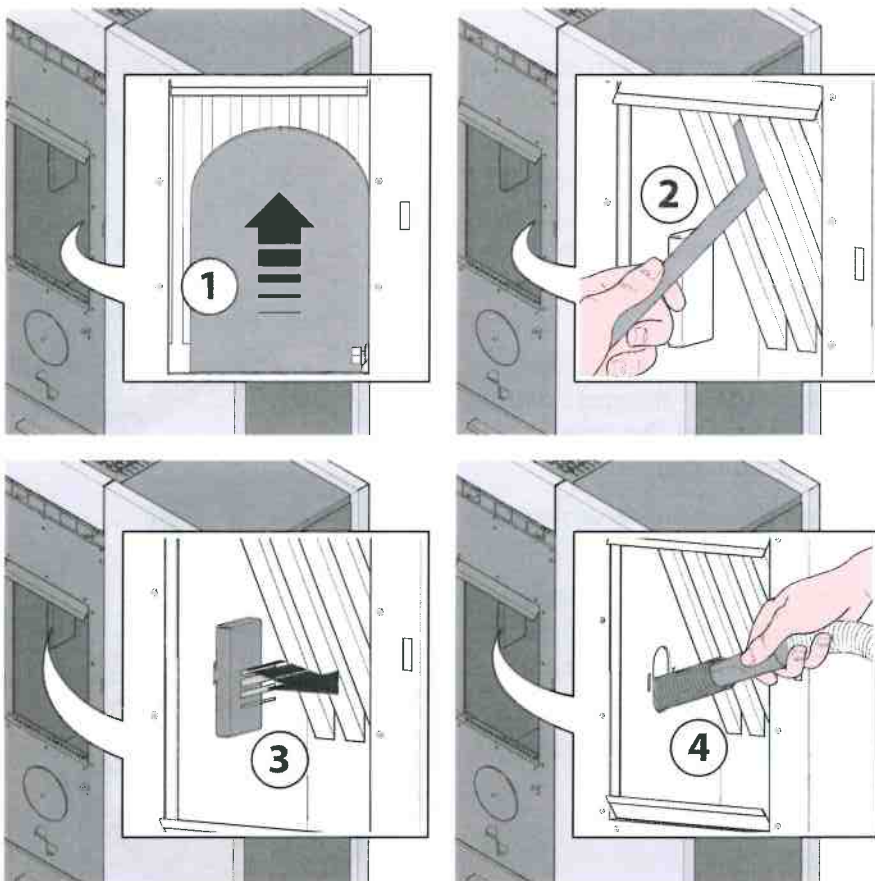


Before starting work on the burner, disconnect the stove from the mains and turn the circuit breaker on the main panel to OFF.

Carry out the following operations at least once a week:

- Remove the smoke baffle located over the burner, lifting it until the two supports disengage.
- Using the appropriate tool, clean all the gaps between the pipes of the heat exchanger, to eliminate all ash residue.
- Remove the inspection plug located on the burner side, lifting it and taking it out. Using the vacuum cleaner, suck up all the ash inside the gap.
- Clean the ash drawer as shown in the relative paragraph.

When cleaning is completed, refit all the previously removed components correctly.



10.9 Emptying and cleaning the ash collector



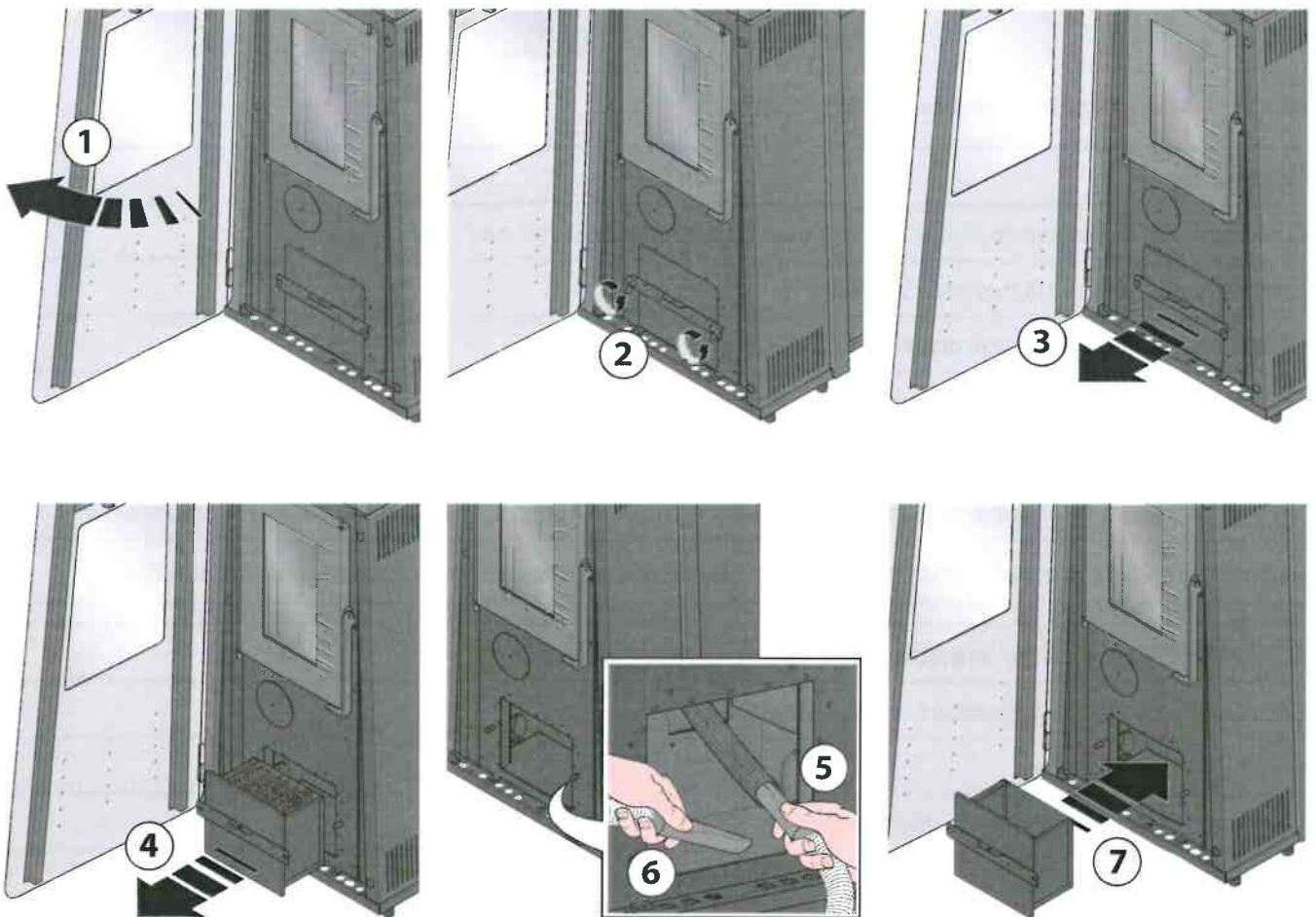
Checking the ash collector must be carried out at least once a week.



Take care because there may be some incandescent pieces among the residues. If they come into contact with flammable material, they may cause a fire.

To open and empty the ash collection drawer, follow the procedure below.

The pictures are based on one stove model but the procedure is the same for the other models too.

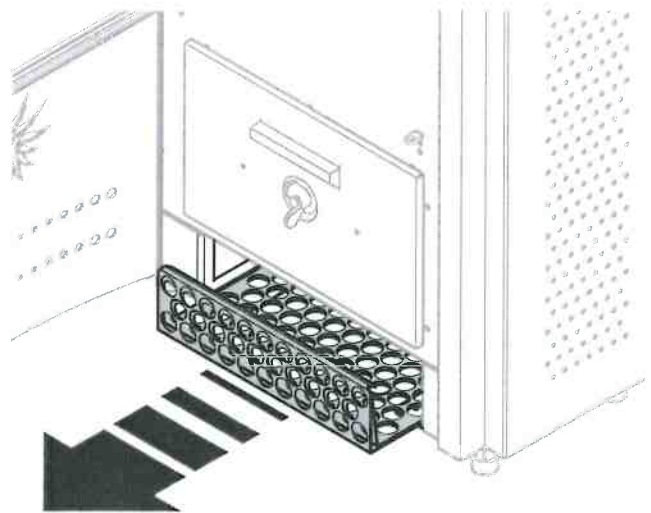


The ash must be disposed of in compliance with the regulations in force in the country, inside a dedicated bin with a lid made out of fire-resistant material.

Once the ash container has been emptied, clean it with soft cloths and neutral products suitable for painted or plastic surfaces.

10.10 Cleaning the air filter in the Sintesi 90/120, Trendy 90/120, Thelma&Louise 90/120, Notabene 90/120, Cippatina models

At least once a month, check and clean as required the filter at the bottom of the stove (see picture). To remove, pull the protection grid outwards and clean the filter from all dust residue with a vacuum cleaner or by washing it under running water and drying it carefully before refitting.



10.11 Cleaning and maintenance of other parts

By the user

Clean any dust deposited on the bottom of the fuel loading container every two months.

Check the whole stove is in good condition.

Check the burner combustion chamber is undamaged.

Check all seals are in good condition and are not showing any wear.

Check that the glass on the hearth door is not damaged (e.g. chipped).

If necessary, clean the "T" at the base of the fume duct and the pipe horizontal section, if any, at least once a month

Inspect the combustion air inlet on the back of the stove at least once a month. Remove any dirt as required

CS THERMOS maintenance engineer (annual cleaning)

Check all mechanical elements are working correctly.

Check and clean the flue.

Check and clean the pellet unloading duct.

Check sleeves, gaskets and electrical cables are undamaged.

Check and clean the fume fan and its relative seat.

Check and lubricate the bushings of the fuel loading auger and of the burner.

Check and clean the heating fan as required.



For any other operation not mentioned in this list, please refer only to the CS THERMOS service centre.

If, while cleaning, the user notices any anomalies, contact CS THERMOS service centre straight away and do not use the equipment for any reason.

11 - DISPOSAL

ADVICE ON THE CORRECT DISPOSAL OF THE PRODUCT

Waste of electrical and electronic equipment (WEEE) pursuant to Decree-Law 49/2014 implementing Directive 2012/19/EU.



At the end of its useful life, the product must not be disposed of together with urban waste but must be delivered to the appropriate collection centres or to the dealers that offer this service.

Disposing of the equipment separately allows avoiding possible negative consequences for health and the environment deriving from its inadequate disposal and promotes the recycling of the materials it is made of.

To stress the need for disposing of the equipment separately, the product bears the mark of the mobile waste container crossed out.





Maximum care has been paid to guarantee the accuracy of this manual.

The Manufacturer reserves the right to modify the equipment or the documentation at any time, without notice.

Therefore there might be small differences between this manual and the product you have received: we apologize in advance for any inconvenience.

The total or partial reproduction of this manual without the Manufacturer's consent is prohibited. Measurements are purely indicative and not binding.

The original language of this manual is Italian: the Manufacturer is not responsible for any mistakes in translation/interpretation.



www.csthermos.it

100% tested & certified

100% made in Italy

CSTHERMOS SRL - Società Uninomiale

Via Padania 35 - Z.I.

31020 San Vendemiano

Treviso - Italy

TV Companies' Register - Tax code / VAT No. 03892500269

Fully paid-up share capital €100,000.00

Tel. +39 0438 62717

Fax +39 0438 453799

Email: info@csthermos.it

Authorized dealer

